

## IMPORTANT INSTRUCTIONS

### TO REDUCE THE RISK OF FIRE, ELECTRIC SHOCK OR INJURY, OBSERVE THE FOLLOWING:

- Installation work and electrical wiring must be done by qualified person(s) in accordance with all applicable codes and standards, including fire-rated construction.
- Two installers are recommended due to the size and weight of the pro hood liner.
- Install the pro hood liner only with a blower manufactured by Wolf.
- When cutting or drilling into wall or ceiling, do not damage electrical wiring and other hidden utilities.
- Ducted fans must always be vented to the outdoors.

#### **▲ CAUTION**

To reduce the risk of fire and properly exhaust air, be certain to duct air outside. Do not vent exhaust air into spaces within walls or ceilings or into attics, crawl spaces or garages.

### Installation Considerations

Wolf pro hood liners are recommended for use with all Wolf cooking appliances.

- Proper installation is the responsibility of the installer. Product failure due to improper installation is not covered under the Wolf warranty. Refer to the Wolf pro ventilation hoods use & care guide for warranty details, or visit the contact & support section of our website, wolfappliance.com.
- Warranty service must be performed by Wolf factory certified service. Wolf is not responsible for service required to correct a faulty installation.

### DECORATIVE HOODS

The bottom edge of the decorative hood can not extend below the hood liner. The bottom  $\frac{3}{4}$ " (19) of the hood liner is stainless steel. The remaining reveal is galvanized metal. Verify the decorative hood does not extend beyond  $\frac{3}{4}$ " (19) to ensure the most visually appealing installation.

### BLOWER ASSEMBLIES

Wolf pro hood liners are shipped without a blower assembly. Internal, in-line and remote blowers are available through your authorized Wolf dealer. For local dealer information, visit the find a showroom section of our website, wolfappliance.com.

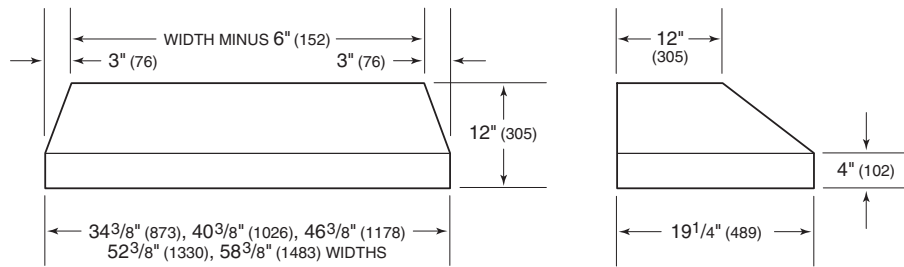
Blower size is dependant on the size of the cooking surface, volume of air being moved and length of the duct run. Refer to ventilation recommendations in the Wolf design guide.

In-line and remote blowers require Romex® (not provided) from the blower to the ventilation hood.

For blower installation, refer to specific instructions provided with each blower. Additional information can also be found on our website, wolfappliance.com.

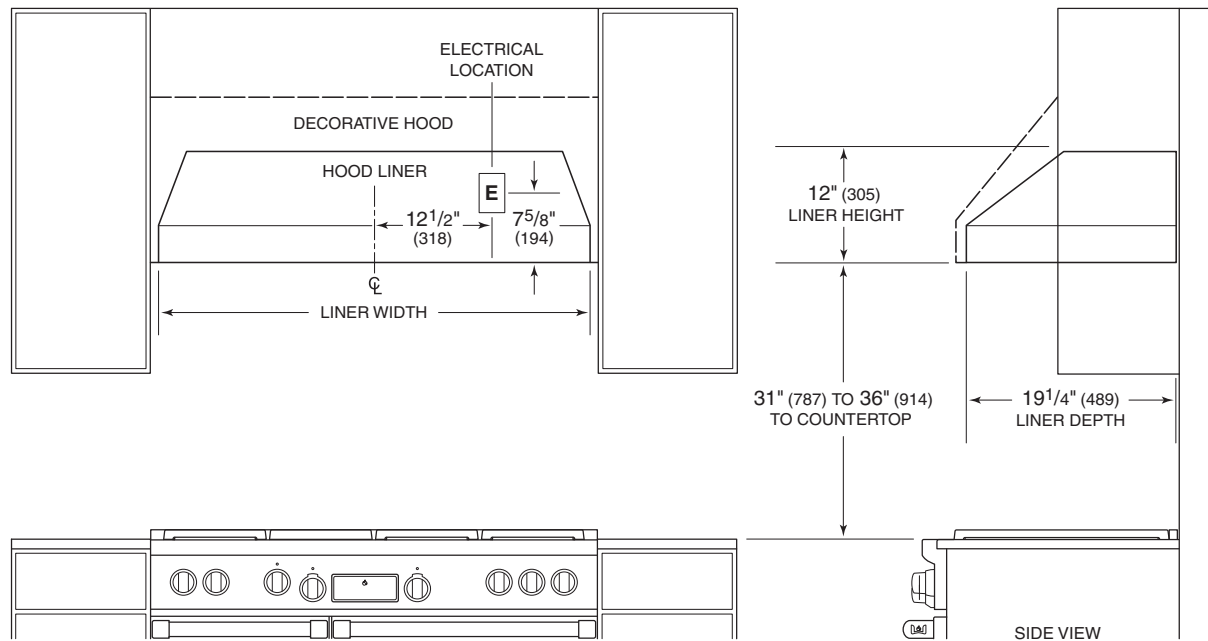
Overall Dimensions

PRO HOOD LINERS



Installation

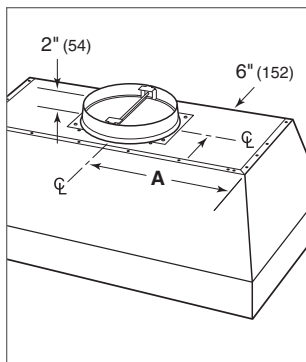
PRO HOOD LINERS



### Discharge Specifications

The illustration below provides dimensions critical for proper installation of the pro hood liner. Dimension A in the illustration will vary with the width of the hood liner. Refer to the chart below.

Pro Hood Liners	
HOOD LINER WIDTH	A
34 <sup>3</sup> / <sub>8</sub> " (873)	14 <sup>3</sup> / <sub>16</sub> " (378)
40 <sup>3</sup> / <sub>8</sub> " (1026)	17 <sup>3</sup> / <sub>16</sub> " (437)
46 <sup>3</sup> / <sub>8</sub> " (1178)	20 <sup>3</sup> / <sub>16</sub> " (513)
52 <sup>3</sup> / <sub>8</sub> " (1330)	23 <sup>3</sup> / <sub>16</sub> " (589)
58 <sup>3</sup> / <sub>8</sub> " (1483)	26 <sup>3</sup> / <sub>16</sub> " (665)



Hood liner discharge.

### Electrical Requirements

Wolf pro hood liners require a separate, grounded 120 V AC, 60 Hz power supply. The service should have its own 15 amp circuit breaker. Locate the electrical supply within the shaded area shown in the installation illustration on the previous page.

In-line and remote blowers require Romex® (not provided) from the blower to the ventilation hood.

**IMPORTANT NOTE:** You must follow all National Electrical Code regulations. In addition, be aware of local codes and ordinances when installing your service.

**⚠ WARNING**

Risk of electrical shock. This hood must be properly grounded. Electrical service for the hood must be installed by a qualified electrician in accordance with all applicable national and local electrical codes.

## Install Ductwork

### ⚠ WARNING

To reduce the risk of fire, use only metal ductwork.

10" (254) round, rigid metal duct is recommended for pro hood liners.

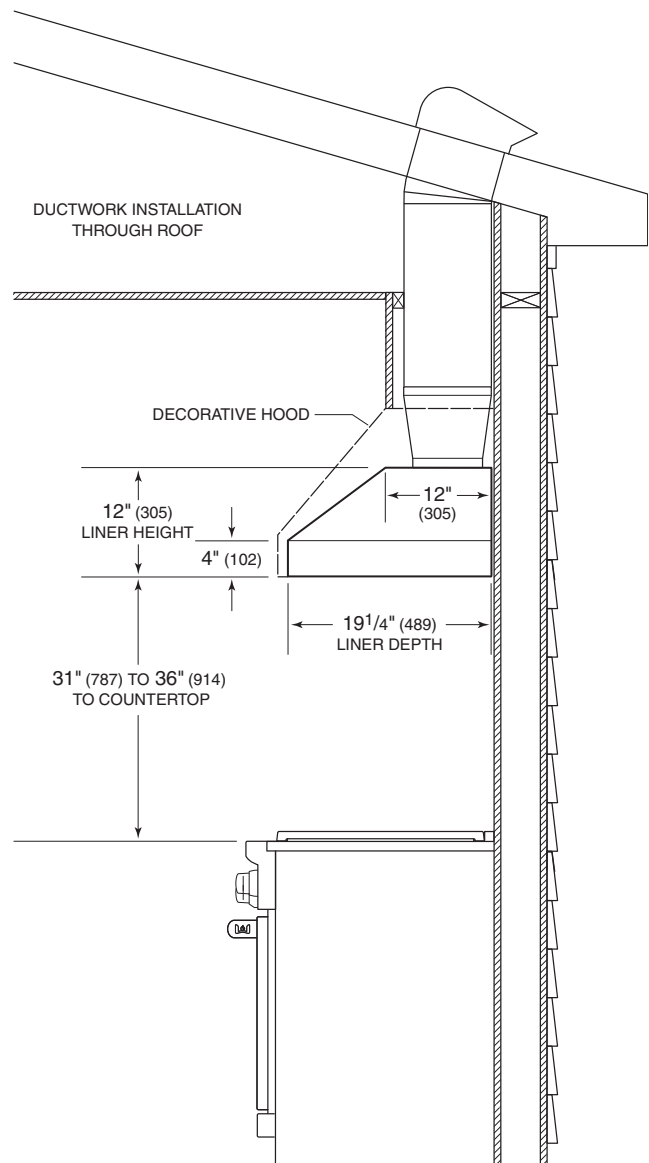
A straight, short run is most effective and will ensure proper operation. For best results, duct run should not exceed 50' (15 m). For runs exceeding 50' (15 m), a higher CFM blower may be required to maintain proper air flow and performance. A remote blower installed on a short duct run may increase the potential for noise.

Internal and in-line blowers require a roof or wall cap (not provided). Connect ductwork to the cap and work back towards the hood liner. Use sheet metal screws and aluminum tape or high temperature duct tape to seal joints between ductwork sections.

All pro hood liners include a backdraft damper in the transition assembly. Local codes may require the use of an additional backdraft and/or make-up air damper. Contact your local HVAC professional for specific requirements.

Backdraft and make-up air dampers are available through your authorized Wolf dealer. For local dealer information, visit the find a showroom section of our website, [wolfappliance.com](http://wolfappliance.com).

### PRO HOOD LINERS

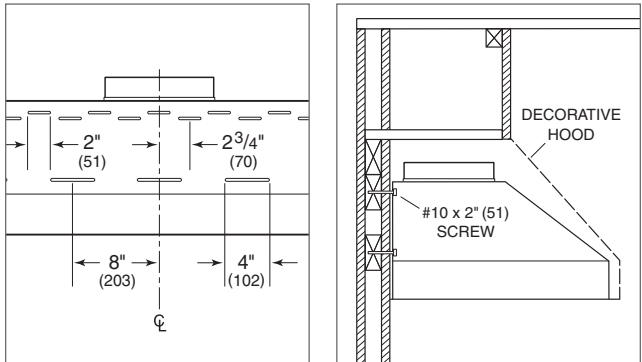


### Wall Preparation

Minimum 2" (51) x 4" (102) lumber is required to construct wall framing. Refer to the illustration below for mounting hole locations and a cross-section view of a typical installation.

**⚠ WARNING**

Framing must be able to support the weight of the hood and internal blower, if applicable.



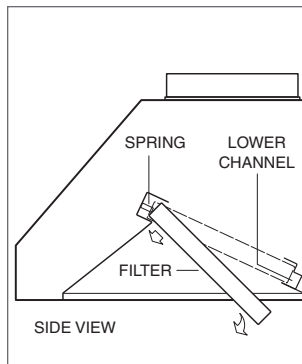
Mounting hole locations.

Installation cross-section.

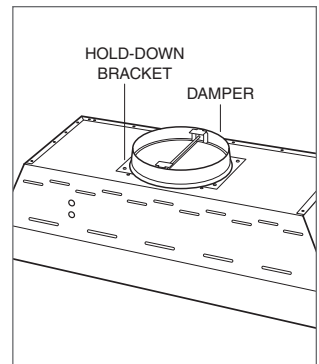
### Hood Liner Preparation

**IMPORTANT NOTE:** Remove all packaging material from hood liner and damper. Failure to remove material will obstruct airflow and significantly decrease performance.

- 1) To remove filters, press upward then rotate bottom outward. Refer to the illustration below. To aide in removal, remove center filter first. Gloves should be worn when handling filters.
- 2) The damper is packaged inside the hood liner in a separate box. Remove damper from box and place it on top of the hood liner using the hold-down brackets.
- 3) Secure hold-down brackets to damper flange with screws provided. Refer to the illustration below.
- 4) Seal with aluminum tape or high temperature duct tape.
- 5) Connect damper to duct using sheet metal screws and aluminum tape or high temperature duct tape. Verify screws do not affect the operation of the damper.



Filter removal.



Mount damper.

## Hood Liner Installation

Position the hood liner in the desired location. Insert #10 x 2" (59) screws through the mounting holes on the back plate. Verify the screws engage two wall studs or blocking.

If additional support is required, drill supplementary holes through the back plate and secure with screws.

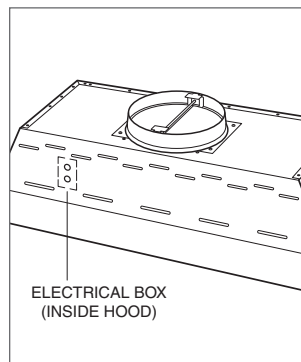
## Electrical Connection

### ⚠ WARNING

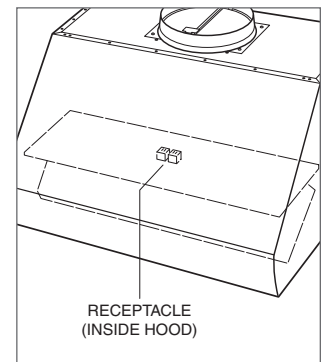
Before making electrical connections, make sure the electrical power is turned off at the service panel.

**IMPORTANT NOTE:** Refer to specific installation instructions provided with each blower assembly for additional mounting and wiring instructions.

- 1) Remove the electrical box cover from inside the hood liner. Insert Romex® from service panel (and Romex® from in-line or remote blower, if applicable) through the back of the hood liner and into the electrical box. Secure with an appropriate electrical connector. Refer to the illustration below.
- 2) Use wire connectors provided to connect black to black, white to white and green to green/bare wire. For in-line and remote blowers, attach the cord assembly to Romex® from the blower.
- 3) Place all wiring connections inside the electrical box and reinstall electrical box cover. Verify all wires are secure and not pinched between cover.
- 4) Insert cord assembly plug into hood liner receptacle. Refer to the illustration below. Turn on power and check operation.



Location of electrical box.



Location of receptacle.