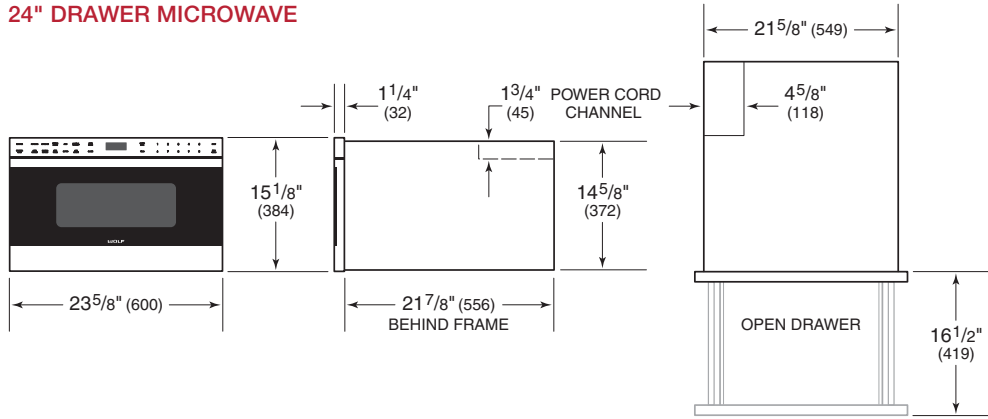


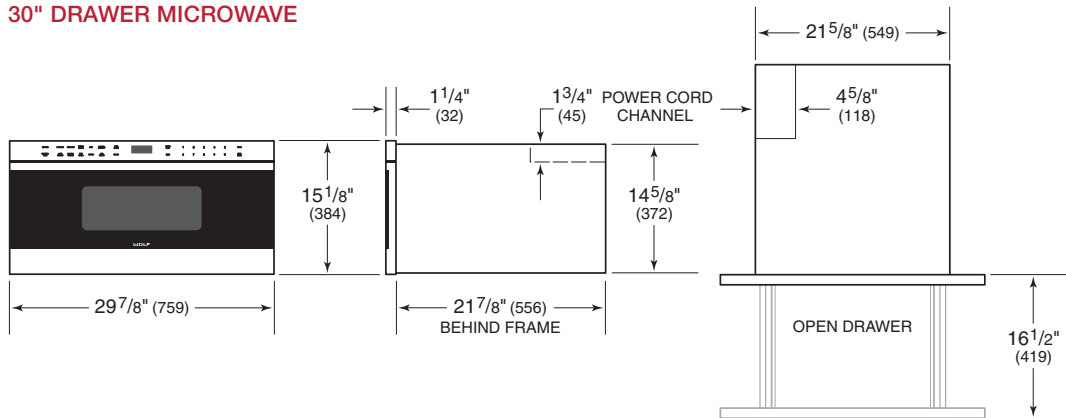
## WOLF MICROWAVE OVENS

## Microwave Ovens

## 24" DRAWER MICROWAVE



## 30" DRAWER MICROWAVE



## SPECIFICATIONS

INTERIOR CAPACITY		CU FT (L)
24" Model		1.2 (34)
30" Model		1.2 (34)

INTERIOR DIMENSIONS	W	H	D
24" Model	$17\frac{5}{16}$ " (440)	$7\frac{1}{8}$ " (181)	$16\frac{9}{16}$ " (421)
30" Model	$17\frac{5}{16}$ " (440)	$7\frac{1}{8}$ " (181)	$16\frac{9}{16}$ " (421)

AHAM overall volume.

## Planning Information

Wolf drawer microwaves can be installed in a standard or flush inset application. Refer to the illustrations on the following pages for minimum cabinet dimensions for your specific installation. The cabinet must be able to support 125 lbs (57 kg).

Wolf convection and standard microwaves can be used freestanding or built-in with optional trim kit, available through your authorized Wolf dealer. For local dealer information, visit the find a showroom section of our website, wolfappliance.com.

In a freestanding application, allow 2" (51) of airflow space on the top, rear and both sides. Built-in opening dimensions accommodate air flow space.

In a built-in application, convection, standard and drawer microwaves will overlap stiles and rails. Refer to the chart below for trim overlaps.

TRIM OVERLAP		
<b>DRAWER MICROWAVE</b>	<b>24" MODEL</b>	<b>30" MODEL</b>
Top	5/16" (8)	5/16" (8)
Bottom	1/16" (2)	1/16" (2)
Sides	3/4" (19)	37/8" (98)
<b>27" E SERIES TRIM</b>	<b>CONVECTION</b>	<b>STANDARD</b>
Top	1/4" (6)	9/16" (14)
Bottom	3/4" (19)	11/16" (17)
Sides	13/16" (21)	13/16" (21)
<b>30" L / E SERIES TRIM</b>	<b>CONVECTION</b>	<b>STANDARD</b>
Top	1/4" (6)	9/16" (14)
Bottom	3/4" (19)	11/16" (17)
Sides	13/16" (30)	13/16" (30)
<b>36" L SERIES TRIM</b>	<b>CONVECTION</b>	<b>STANDARD</b>
Top	3/16" (5)	NA
Bottom	13/16" (21)	NA
Sides	11/4" (32)	NA

## ELECTRICAL

Installation must comply with all applicable electrical codes.

The receptacle should be located in the upper left area of the opening. Refer to the illustration for your specific installation on the following pages. The receptacle may also be located in an adjacent cabinet within reach of the power cord. An access hole must be provided through the cabinet for the power cord.

**IMPORTANT NOTE:** The microwave oven is equipped with a power cord with a 3-prong grounding plug. The power cord must be plugged into a mating 3-prong grounded outlet. If you only have a 2-prong outlet, have a qualified electrician install a properly grounded outlet. If you have any questions about the grounding or electrical instructions, consult a qualified electrician or service technician.

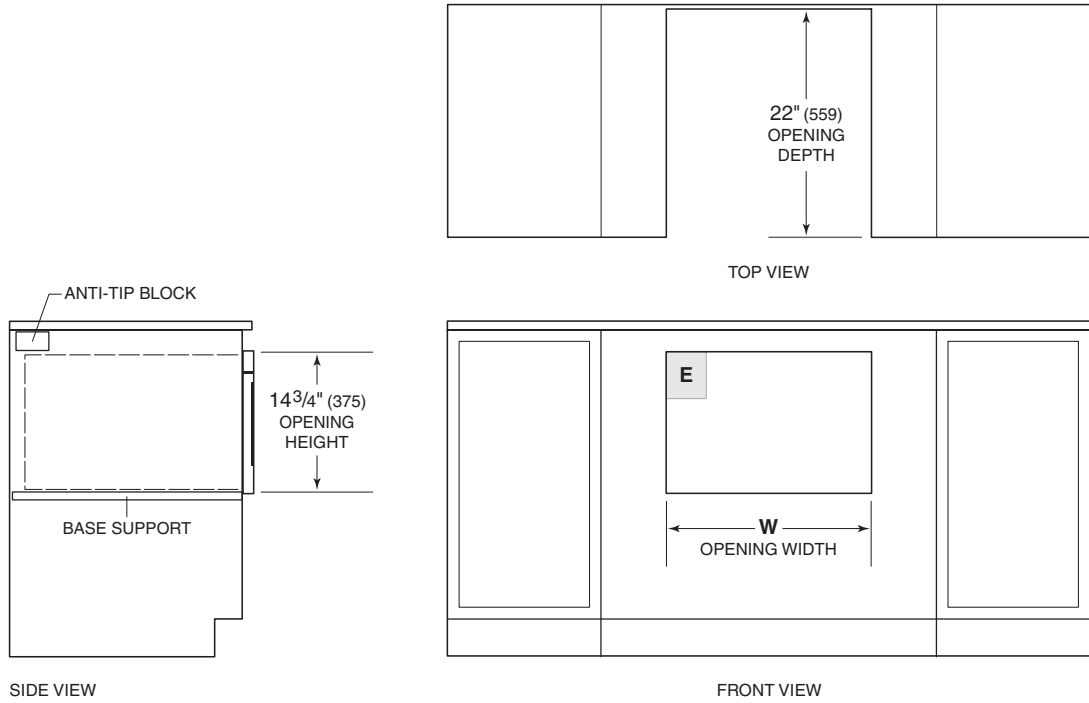
### ELECTRICAL REQUIREMENTS

#### MICROWAVE OVENS

Electrical Supply	grounded, 120 VAC, 60 Hz
Service	15 amp dedicated circuit
Receptacle	3-prong grounding-type
Power Cord	3' (.9 m), 4' (1.2 m) for drawer

## Drawer Microwave Oven

### STANDARD INSTALLATION



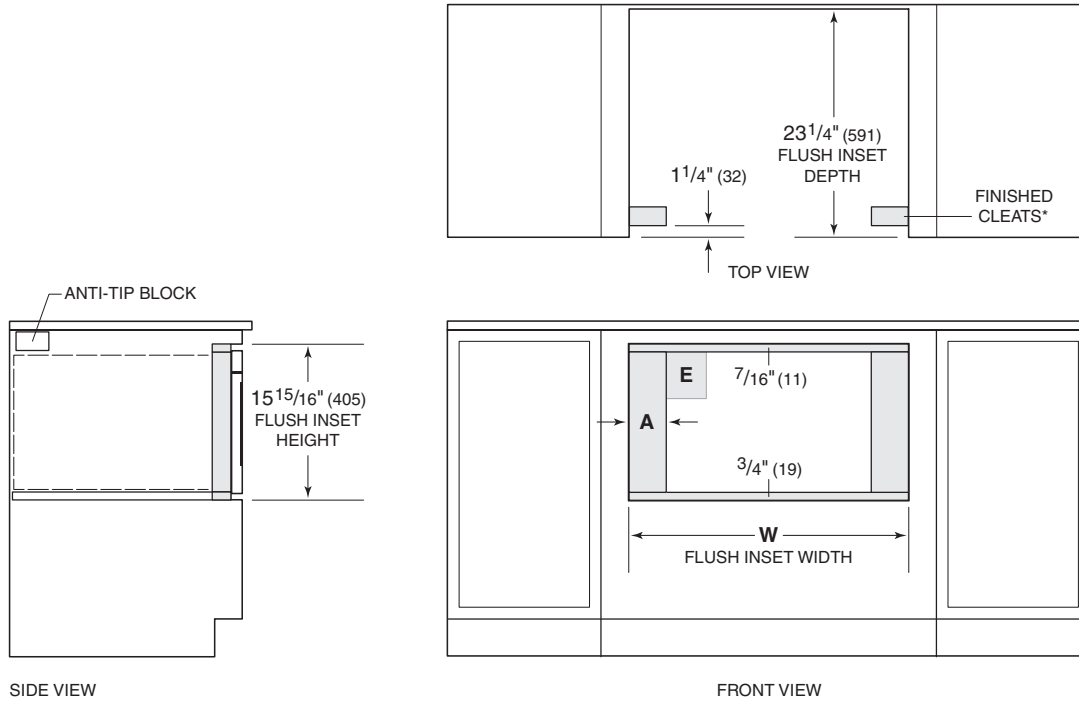
*NOTE: All drawer microwave ovens require the same opening dimensions. Dashed line represents profile of unit.*

OPENING WIDTH	
MODEL	W
24" Drawer Microwave	$22\frac{1}{8}"$ (562)
30" Drawer Microwave	$22\frac{1}{8}"$ (562)

## WOLF MICROWAVE OVENS

## Drawer Microwave Oven

## FLUSH INSET INSTALLATION



\*Will be visible and should be finished to match cabinetry.

NOTE: Dashed line represents profile of unit.

FLUSH INSET WIDTH		
MODEL	W	A
24" Drawer Microwave	24 <sup>3</sup> / <sub>8</sub> " (619)	1 <sup>1</sup> / <sub>8</sub> " (29)
30" Drawer Microwave	30 <sup>3</sup> / <sub>8</sub> " (772)	4" (102)