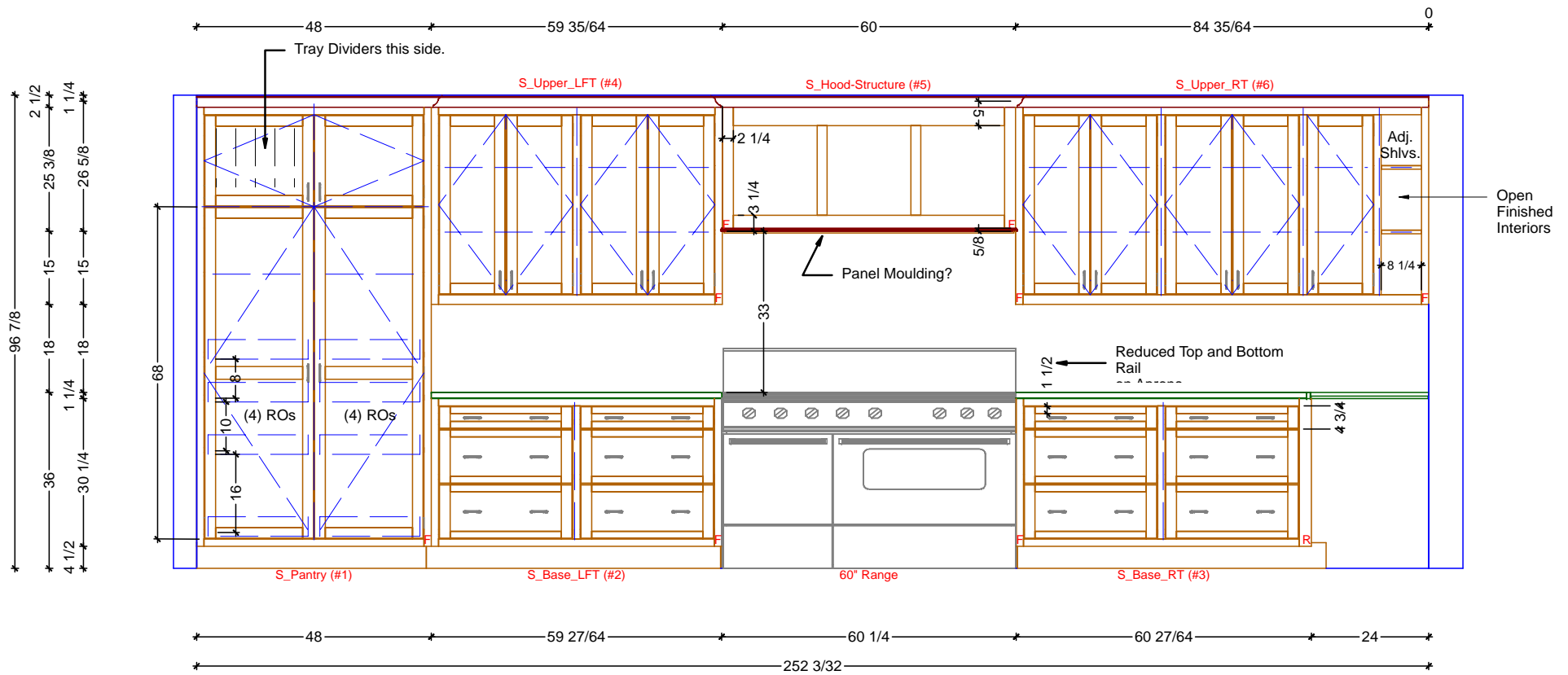


KITCHEN CABINETRY FLOOR PLAN

SCALE: 3/8" = 1' 0"

Classic Bath Designs, Inc.
 11544 Sheldon St., Sun Valley, CA 91352
 818.767.1144 fax: 818.767.1278

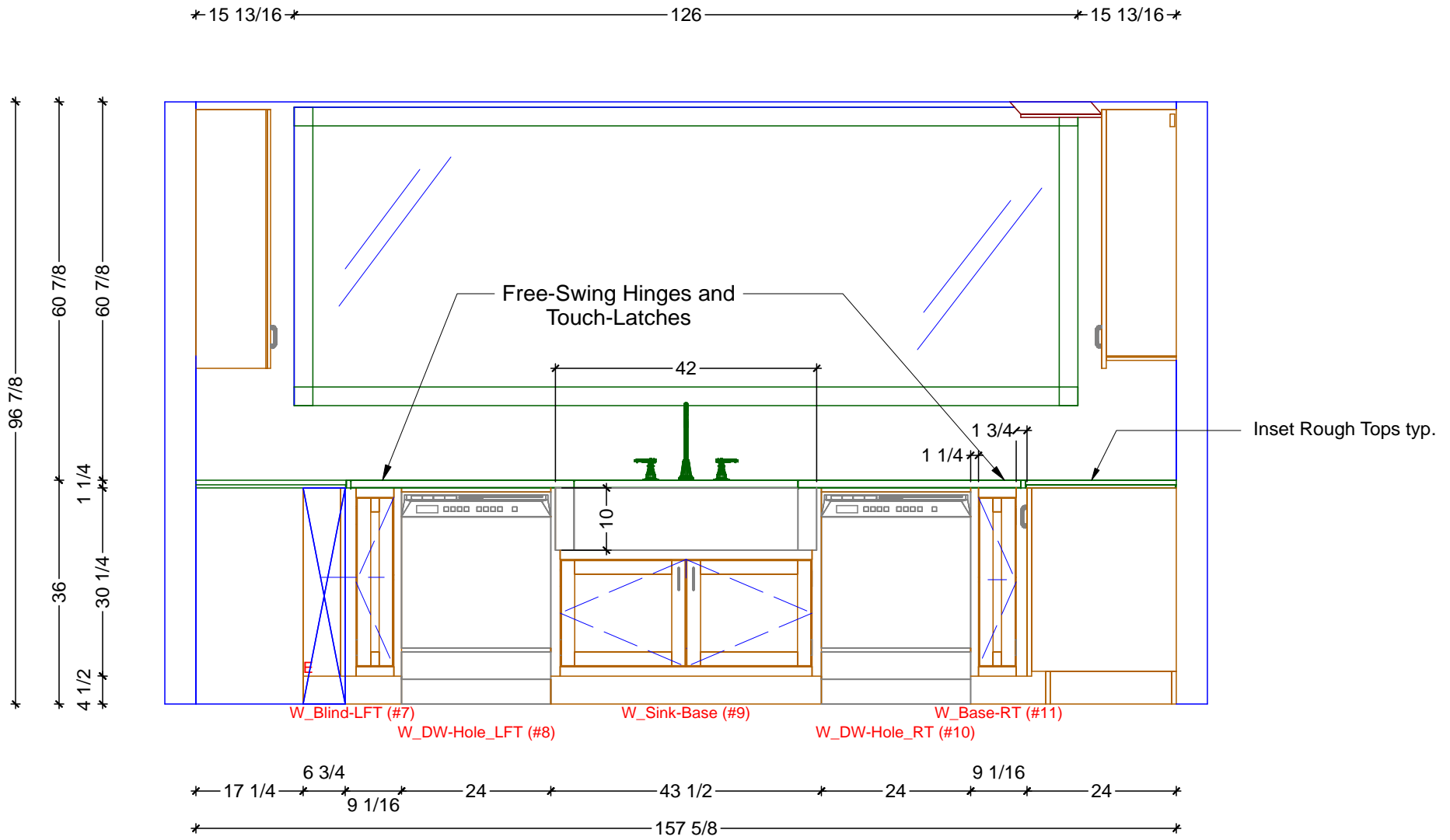
Cust: Palermo for Skyline	PO# KITCHEN	Scale: As Noted		Room	K.0
Job: FI-S_PreFIN/PG-MDF:perSample_IntEB:PreFIN		Dr By: Brian	Size: A	09/25/15	
Approved _____					



1 KITCHEN ELEVATION - SOUTH
 SCALE: 3/8" = 1' 0"

Classic Bath Designs, Inc.
 11544 Sheldon St., Sun Valley, CA 91352
 818.767.1144 fax: 818.767.1278

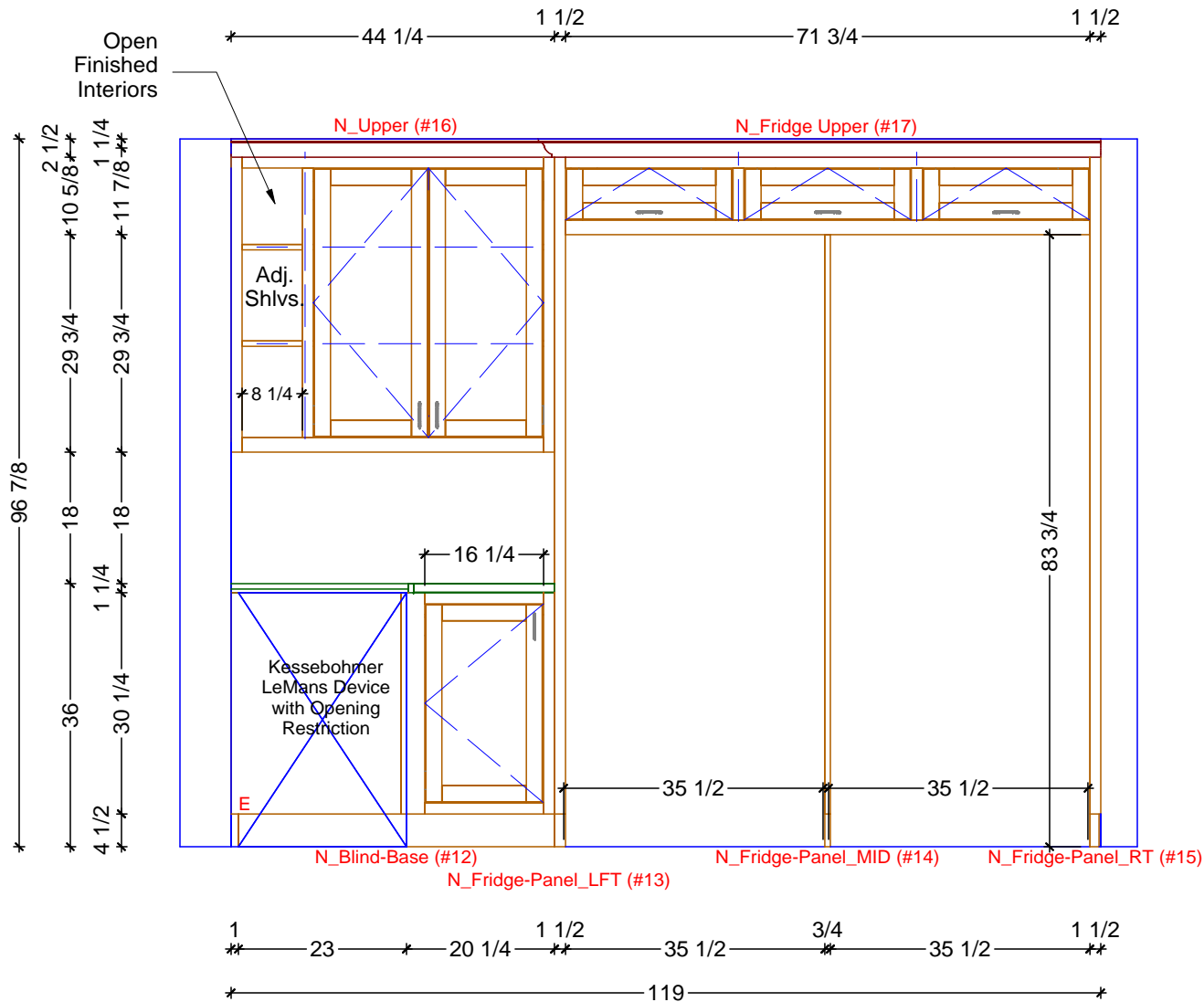
Cust: Palermo for Skyline	PO# KITCHEN	Scale: As Noted	Room	K.1
Approved _____	Job: FI-S_PreFIN/PG-MDF:perSample_IntEB:PreFIN	Size: A	Dr By: Brian 09/25/15	



1 KITCHEN ELEVATION - WEST
 SCALE: 1/2" = 1' 0"

Classic Bath Designs, Inc.
 11544 Sheldon St., Sun Valley, CA 91352
 818.767.1144 fax: 818.767.1278

Cust: Palermo for Skyline	PO# KITCHEN	Scale: As Noted	Room	K.2
Approved _____	Job: FI-S_PreFIN/PG-MDF:perSample_IntEB:PreFIN	Size: A	Dr By: Brian 09/25/15	

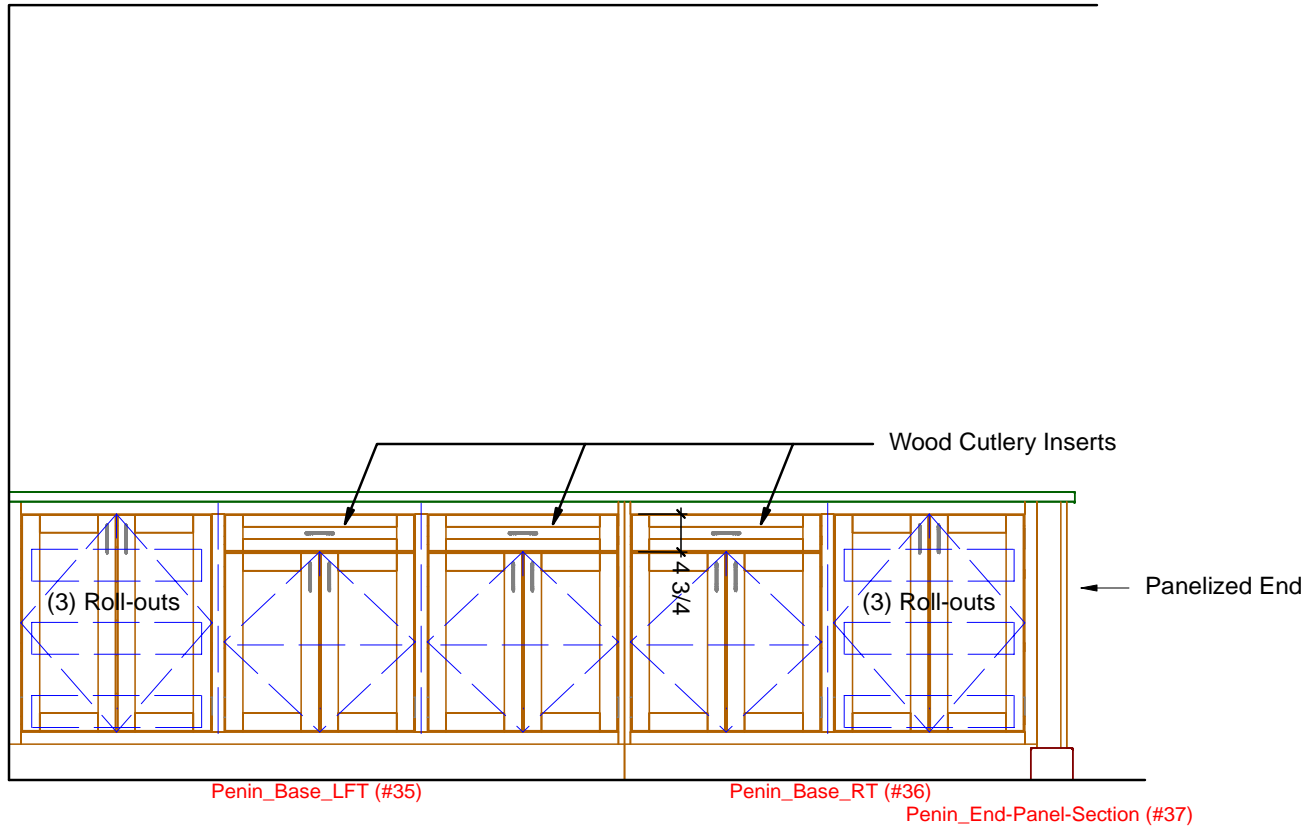


1 KITCHEN ELEVATION - NORTH
SCALE: 1/2" = 1' 0"

Classic Bath Designs, Inc.
11544 Sheldon St., Sun Valley, CA 91352
818.767.1144 fax: 818.767.1278

Cust: Palermo for Skyline	PO# KITCHEN	Scale: As Noted	Room	K.3
Approved _____	Job: FI-S_PreFIN/PG-MDF:perSample_IntEB:PreFIN	Size: A	Dr By: Brian 09/25/15	

$96 \frac{7}{8}$
 $60 \frac{7}{8}$
 $60 \frac{7}{8}$
 $1 \frac{1}{4}$
 36
 $30 \frac{1}{4}$
 $4 \frac{1}{2}$



$76 \frac{15}{16}$
 $51 \frac{35}{64}$
 $3 \frac{3}{4}$
 $1 \frac{1}{4}$
 $132 \frac{15}{32}$

1

PENINSULA ELEVATION - FACING NORTH

SCALE: 1/2" = 1' 0"

Classic Bath Designs, Inc.
 11544 Sheldon St., Sun Valley, CA 91352
 818.767.1144 fax: 818.767.1278



Cust: Palermo for Skyline

PO# KITCHEN

Scale: As Noted

Room

Approved _____

Job: FI-S_PreFIN/PG-MDF:perSample_IntEB:PreFIN

Size: A

Dr By: Brian

09/25/15

K.4

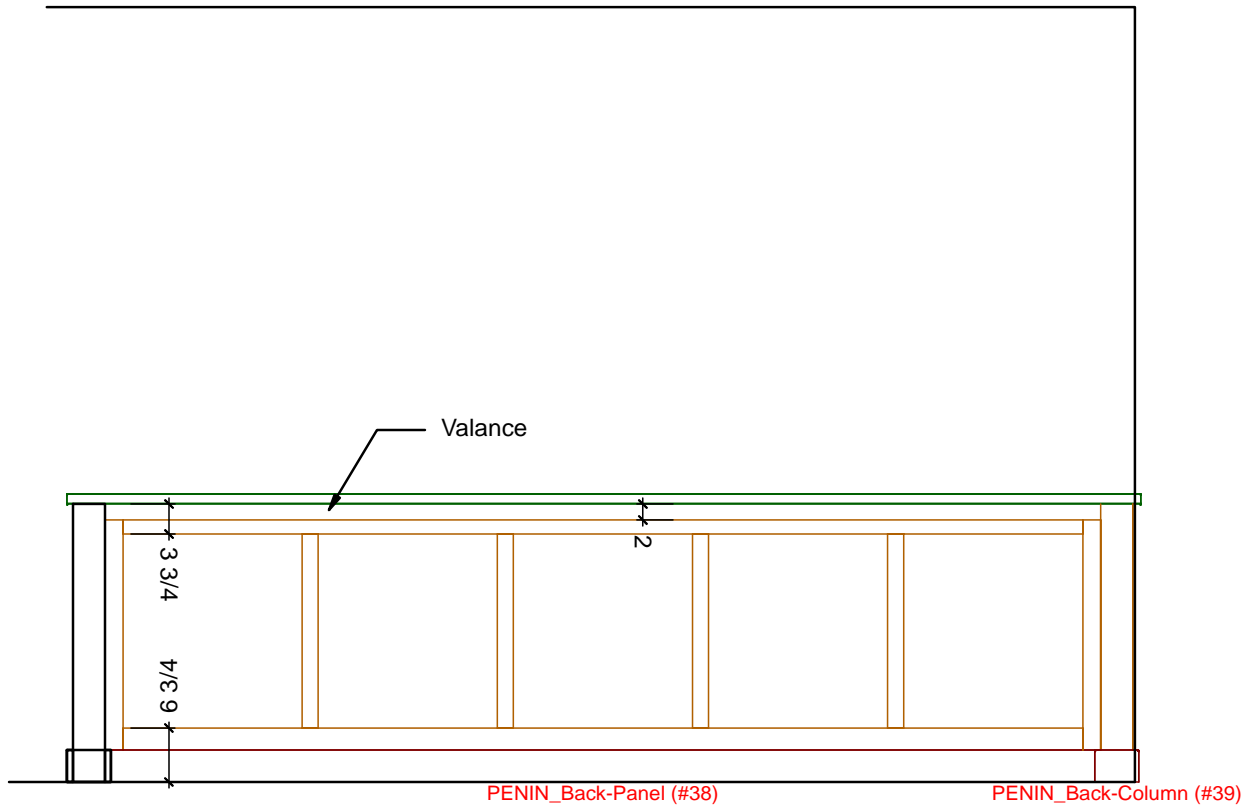
 96 7/8

 60 7/8

 1 1/4

 34 3/4

 36



4-----124 15/32-----*4*
 -----132 15/32-----

1 PENINSULA ELEVATION - FACING SOUTH
 SCALE: 1/2" = 1' 0"

Classic Bath Designs, Inc.
 11544 Sheldon St., Sun Valley, CA 91352
 818.767.1144 fax: 818.767.1278

Cust: Palermo for Skyline

PO# KITCHEN

Scale: As Noted

Room

Approved _____

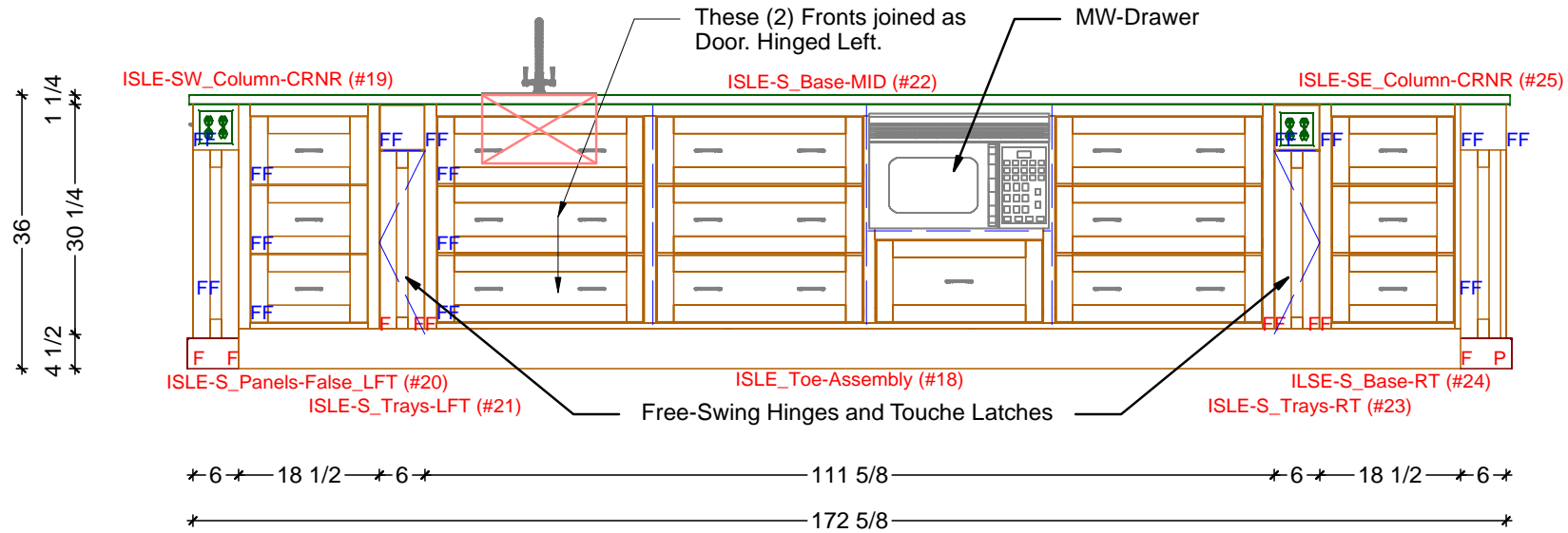
Job: FI-S_PreFIN/PG-MDF:perSample_IntEB:PreFIN

Size: A

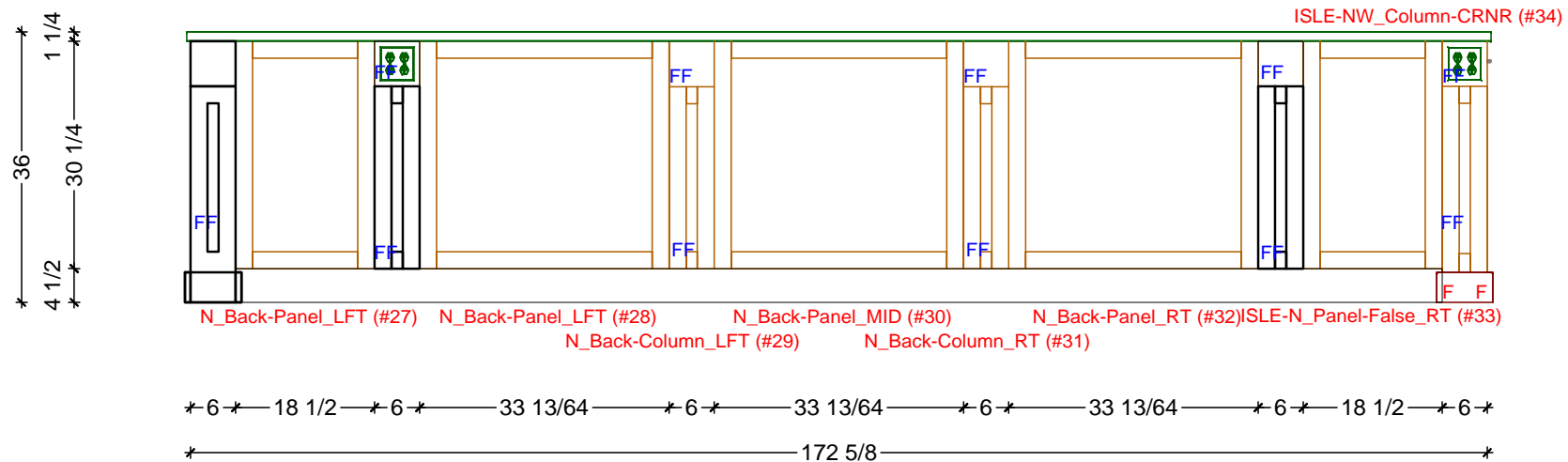
Dr By: Brian

09/25/15

K.5



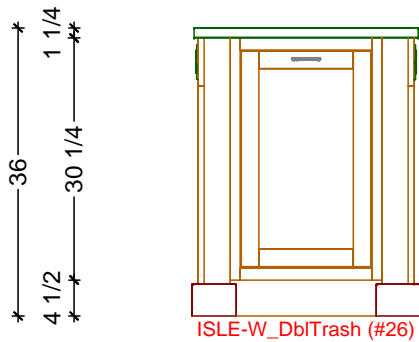
1 ISLAND ELEVATION - FACING NORTH
SCALE: 1/2" = 1' 0"



2 ISLAND ELEVATION - FACING SOUTH
SCALE: 1/2" = 1' 0"

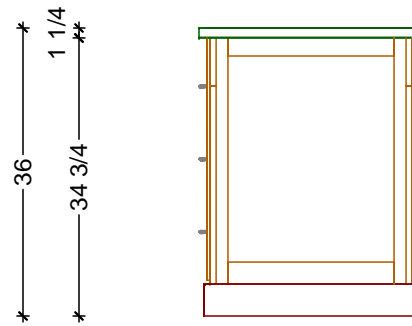
Classic Bath Designs, Inc.
11544 Sheldon St., Sun Valley, CA 91352
818.767.1144 fax: 818.767.1278

Cust: Palermo for Skyline	PO# KITCHEN	Scale: As Noted	Room	K.6
Approved _____	Job: FI-S_PreFIN/PG-MDF:perSample_IntEB:PreFIN	Size: A	Dr By: Brian 09/25/15	



4 — 19 — *4*
 * — 27 — *

1 ISLAND ELEVATION - FACING EAST
 SCALE: 1/2" = 1' 0"



* — 27 — *

2 ISLAND ELEVATION - FACING WEST
 SCALE: 1/2" = 1' 0"

Classic Bath Designs, Inc.
 11544 Sheldon St., Sun Valley, CA 91352
 818.767.1144 fax: 818.767.1278

Cust: Palermo for Skyline	PO# KITCHEN	Scale: As Noted	Room	K.7
Approved _____	Job: FI-S_PreFIN/PG-MDF:perSample_IntEB:PreFIN	Size: A	Dr By: Brian 09/25/15	



Classic Bath Designs, Inc.
 11544 Sheldon St., Sun Valley, CA 91352
 818.767.1144 fax: 818.767.1278



Cust: Palermo for Skyline		PO# KITCHEN	Scale: As Noted	Room
Approved _____	Job: FI-S_PreFIN/PG-MDF:perSample_IntEB:PreFIN	Size: A	Dr By: Brian	09/25/15

Rndr



Classic Bath Designs, Inc.
 11544 Sheldon St., Sun Valley, CA 91352
 818.767.1144 fax: 818.767.1278



Cust: Palermo for Skyline		PO# KITCHEN	Scale: As Noted	Room
Approved _____	Job: FI-S_PreFIN/PG-MDF:perSample_IntEB:PreFIN	Size: A	Dr By: Brian	09/25/15
				Rndr



Classic Bath Designs, Inc.
 11544 Sheldon St., Sun Valley, CA 91352
 818.767.1144 fax: 818.767.1278



Cust: Palermo for Skyline

PO# KITCHEN

Scale: As Noted

Room

Approved _____

Job: FI-S_PreFIN/PG-MDF:perSample_IntEB:PreFIN

Size: A

Dr By: Brian

09/25/15

Rndr



Classic Bath Designs, Inc.
 11544 Sheldon St., Sun Valley, CA 91352
 818.767.1144 fax: 818.767.1278



Cust: Palermo for Skyline		PO# KITCHEN	Scale: As Noted	Room
Approved _____	Job: FI-S_PreFIN/PG-MDF:perSample_IntEB:PreFIN	Size: A	Dr By: Brian	09/25/15
				Rndr



Classic Bath Designs, Inc.
 11544 Sheldon St., Sun Valley, CA 91352
 818.767.1144 fax: 818.767.1278



Cust: Palermo for Skyline		PO# KITCHEN	Scale: As Noted	Room
Approved _____	Job: FI-S_PreFIN/PG-MDF:perSample_IntEB:PreFIN	Size: A	Dr By: Brian	09/25/15
				Rndr