

Professionally Designed Range Hoods

1-877-34

HOME

ISLAND

WALL

UNDER

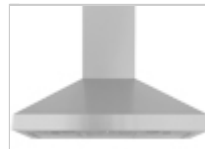
INSERTS

DEALERS

SUPPO

PRODUCTS / WALL / RA-60TB

RA-60TB



CALIFORNIA ENERGY COMMISSION

The CFM levels for this model have been tested and certified by the laboratories of the California Energy Co

SPECIFICATIONS

MODEL	SIZE	COLOR	CFM	SONES	SPEED	LIGHT	DUCT
RA-60TB30SS	30"	Stainless Steel	*550	5.4	3	LED x 2 65 lm (3 w) each	6" / 7"vert
RA-60TB36SS	36"	Stainless Steel	*550	5.4	3	LED x 2 65 lm (3 w) each	6" / 7"vert
RA-60TB42SS	42"	Stainless Steel	*550	5.4	3	LED x 2 65 lm (3 w) each	6" / 7"vert
RA-60TB48SS	48"	Stainless Steel	*550	5.4	3	LED x 2 65 lm (3 w) each	6" / 7"vert

[Download manual](#)

FEATURES

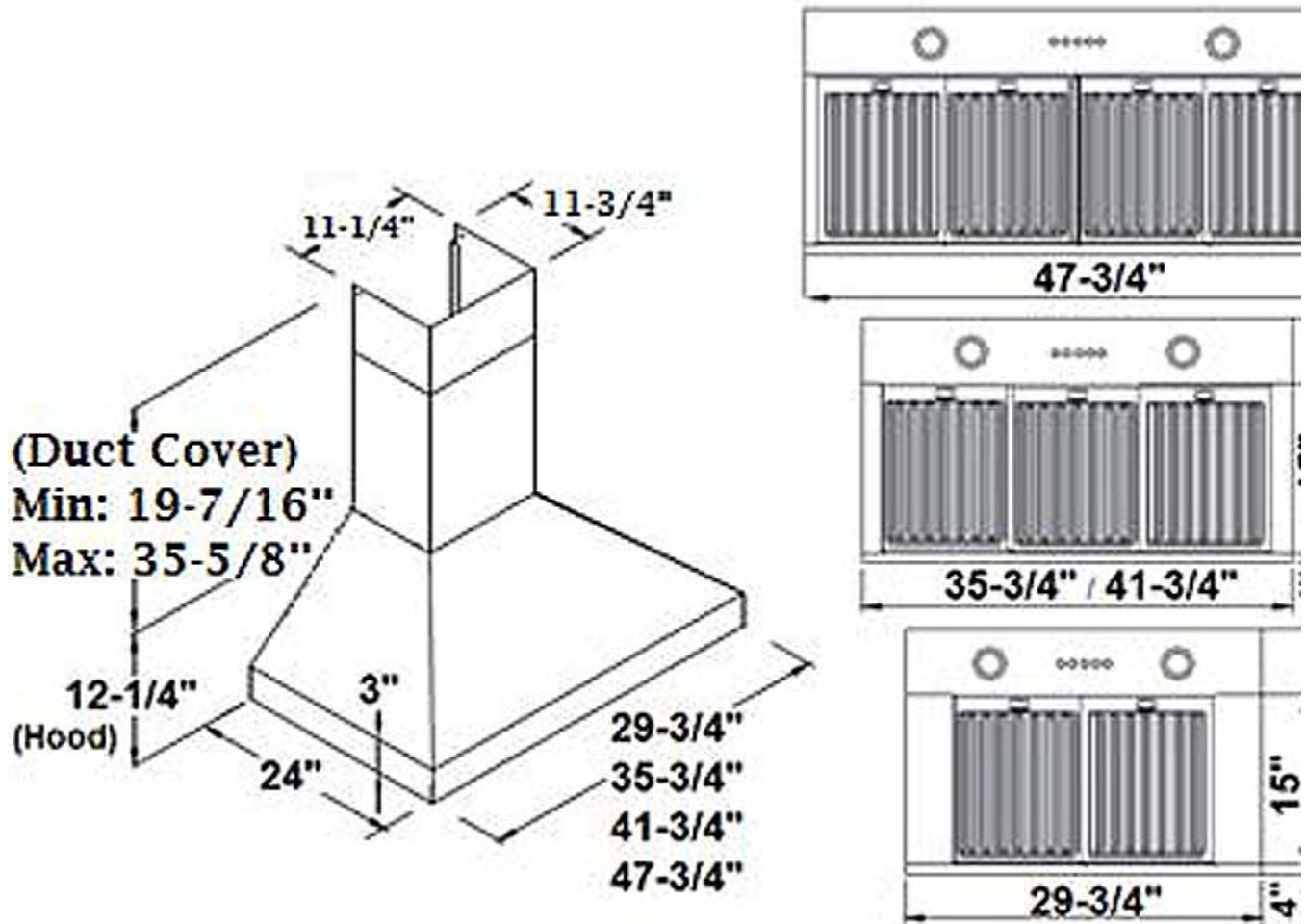
- Perfect welding and no sharp edges.
- Fashion and seamless design.
- Push button control.

ACCESSORIES & OPTIONS

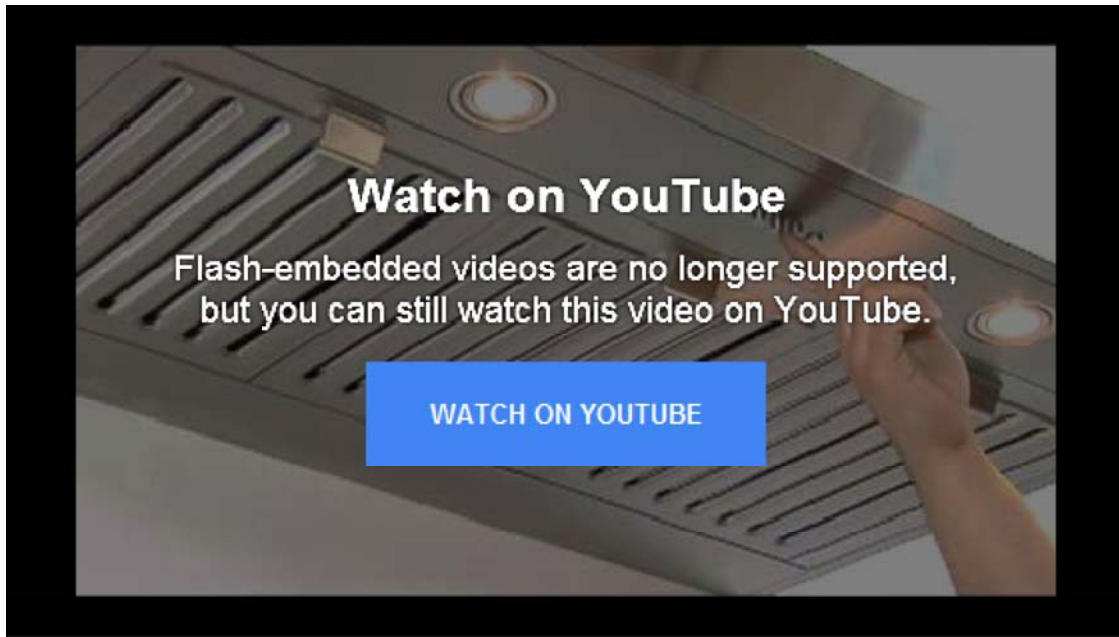
MODEL	DESCRIPTION	SIZE	COLOR
RA-60TBAF	Aluminum filter	-	-
RA-60TBBF	Baffle filter	-	-
RA-60TBCF	Charcoal filter	-	-
RA-60TBDK	Ductless kits	-	-
RA-60TBCFMR	CFM Reducer	-	-
RA-60TBEXTDC	Extension duct cover	46"	Stainless Steel
BS30	Backsplash	30" x 30"	Stainless Steel
BS36	Backsplash	36" x 30"	Stainless Steel

BS42	Backsplash	42" x 30"	Stainless Steel
6" DAMPER	Damper	6"	-
PC16	Medium-duty power cord 16 gauge / 3 wire / 13 amp / 120 volt / 1,500 watt capacity	44-1/2"	-

DIAGRAM



VIDEO



*To acquire the performance specifications displayed, the usage of Aluminum filters is required.