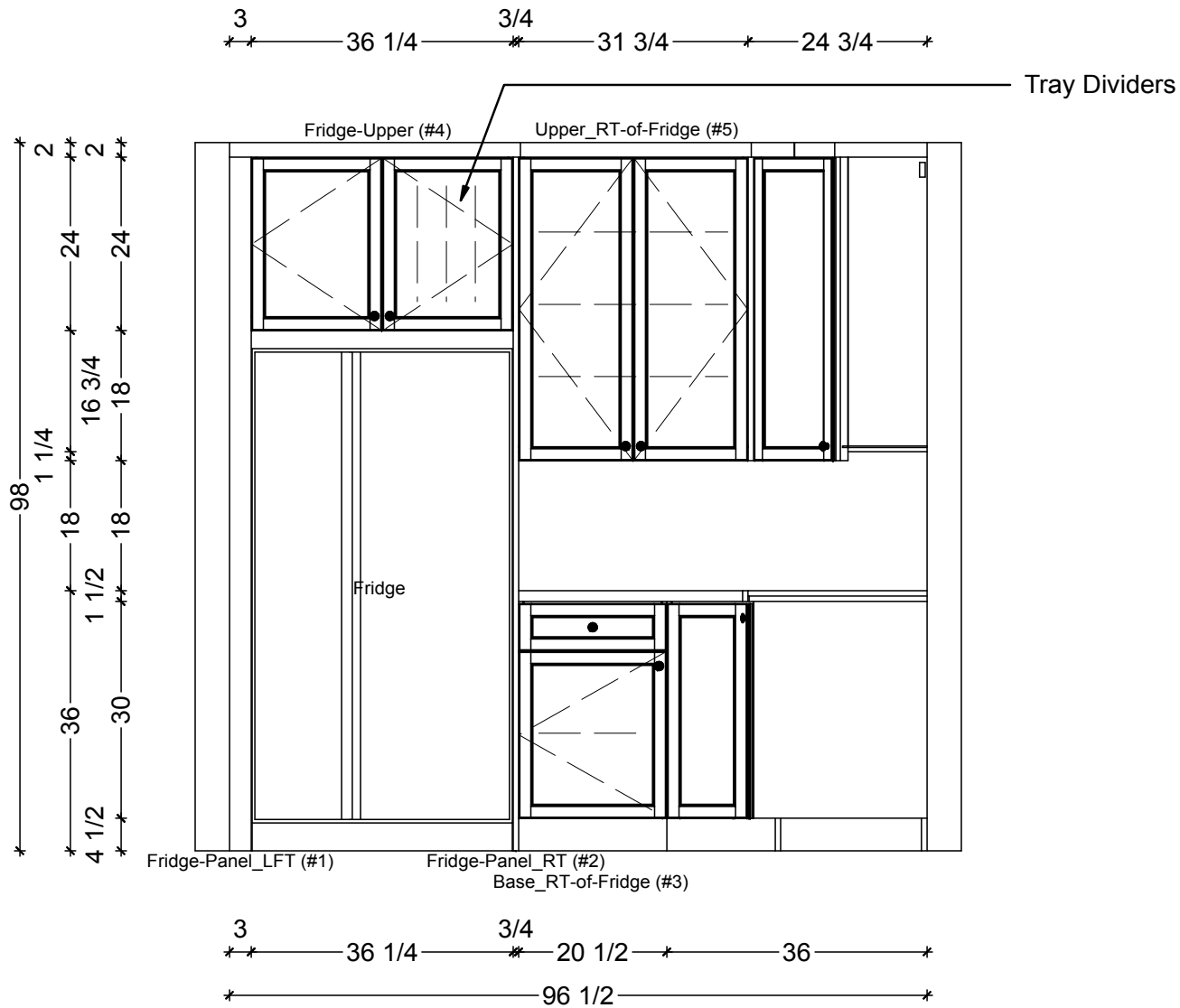

KITCHEN CABINETRY FLOOR PLAN
 SCALE: 1/2" = 1' 0"

Classic Bath Designs, Inc.
 11544 Sheldon St., Sun Valley, CA 91352
 818.767.1144 fax: 818.767.1278



Cust: Preston for Harris	PO# KITCHEN	Scale: As Noted		
Approved _____	Job: FL-S_MIWWh/Alder:perSample_IntEB:MIWh	Size: A	Dr By: Brian	01/11/2014

K.0

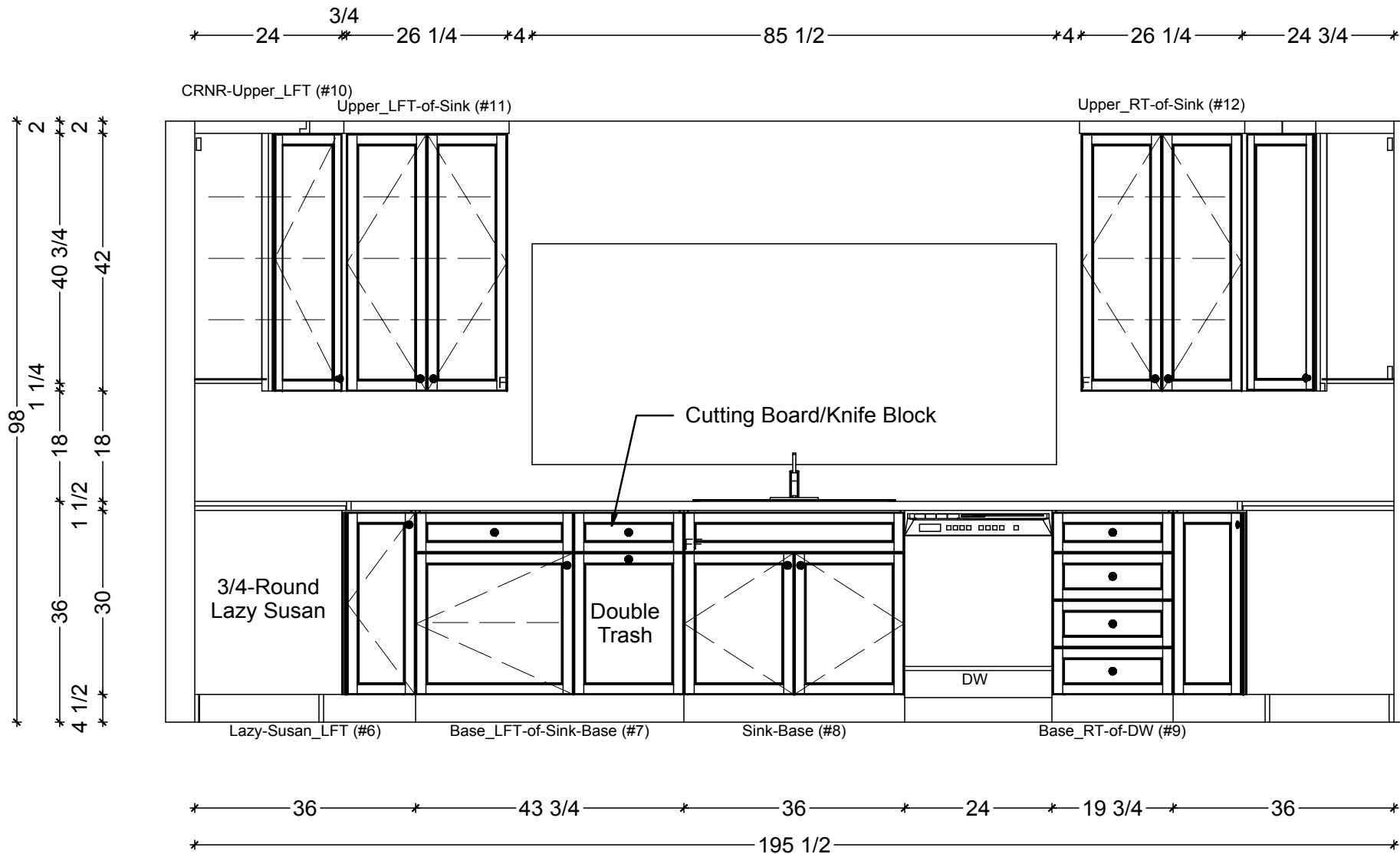


1 KITCHEN ELEVATION - FRIDGE WALL
SCALE: 1/2" = 1' 0"

Classic Bath Designs, Inc.
 11544 Sheldon St., Sun Valley, CA 91352
 818.767.1144 fax: 818.767.1278



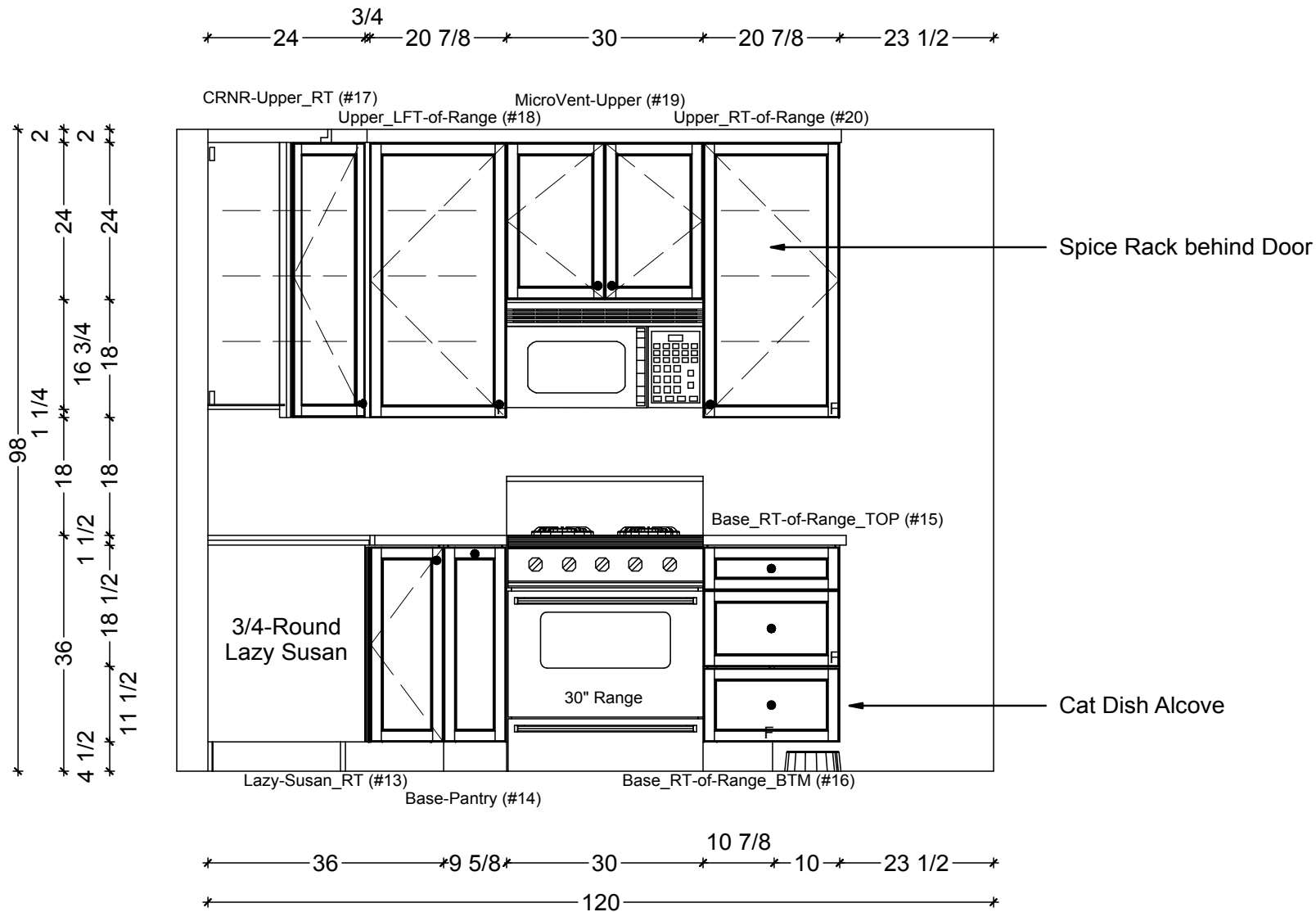
Cust: Preston for Harris	PO# KITCHEN	Scale: As Noted			K.1
Approved _____	Job: FL-S_MIWh/Alder:perSample_IntEB:MIWh	Size: A	Dr By: Brian	01/11/2014	



1 KITCHEN ELEVATION - SINK WALL
SCALE: 1/2" = 1' 0"

Classic Bath Designs, Inc.
11544 Sheldon St., Sun Valley, CA 91352
818.767.1144 fax: 818.767.1278

Cust: Preston for Harris	PO# KITCHEN	Scale: As Noted	K.2
Approved _____	Job: FL-S_MIWh/Alder:perSample_IntEB:MIWh	Size: A	
		Dr By: Brian	01/11/2014

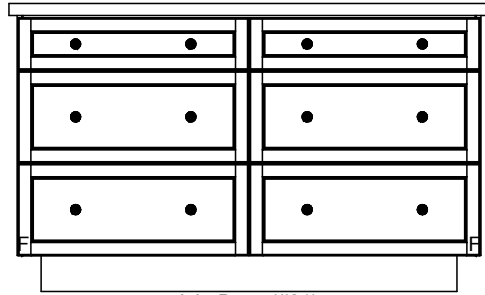


1 KITCHEN ELEVATION - RANGE WALL
 SCALE: 1/2" = 1' 0"

Classic Bath Designs, Inc.
 11544 Sheldon St., Sun Valley, CA 91352
 818.767.1144 fax: 818.767.1278

Cust: Preston for Harris	PO# KITCHEN	Scale: As Noted	K.3
Approved _____	Job: FL-S_MIWWh/Alder:perSample_IntEB:MIWh	Size: A Dr By: Brian 01/11/2014	

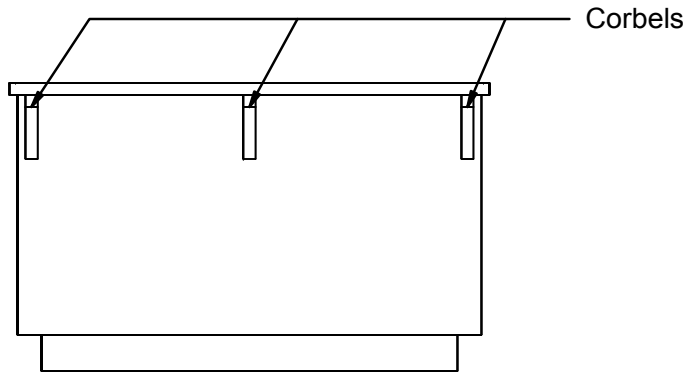
$1\frac{1}{2}$
 36
 $4\frac{1}{2}$
 30



Isle-Base (#21)

58
 58

1 KITCHEN ELEVATION - ISLE INSIDE
 SCALE: 1/2" = 1' 0"



Corbels

2 KITCHEN ELEVATION - ISLE OUTSIDE
 SCALE: 1/2" = 1' 0"

Classic Bath Designs, Inc.
 11544 Sheldon St., Sun Valley, CA 91352
 818.767.1144 fax: 818.767.1278



Cust: Preston for Harris

PO# KITCHEN

Scale: As Noted

Approved _____

Job: FL-S_MIWWh/Alder:perSample_IntEB:MIWh

Size: A

Dr By: Brian

01/11/2014

K.4