



## My Reveal Project

For help with questions about the specifications provided for your configuration, call us toll-free between 8am-5pm CST at [\(866\) 689-9653](tel:8666899653).

Disclaimer: We strongly recommend saving all Reveal configurations to "My Sub-Zero Account" to ensure the most up-to-date specification information is reflected on your shared documents as product specifications are subject to change without notice. Otherwise, we suggest that this configuration be recreated prior to finalizing your cabinetry enclosures. The reveal listed in this configuration is the minimum reveal suggested by the manufacturer. After extensive research, Sub-Zero simplified the naming of our refrigeration product lines to be more descriptive and distinct for our consumers. Built-In is now referred to as Classic, and Integrated is now referred to as Designer. Model numbers currently remain unchanged.

## Group 1: Opening and Panel Specs, Custom Panels, 4" Toe Kick

### Specifications:

[Specifications Summary](#)

[Planning Notes](#)

[Front View](#)

[Side View](#)

[Top View](#)

[Top View Detail](#)

[IC-30RID Panel Specifications](#)

[IC-24R Panel Specifications](#)

[Panel Planning Notes](#)

[IC-24R Additional Requirements](#)

[IC-30RID Additional Requirements](#)



IC-30RID

30" Designer Column Refrigerator with Internal Dispenser - Panel Ready, Left Hinge



IC-24R

24" Designer Column Refrigerator - Panel Ready, Right Hinge



7023628

Designer Handle-to-Handle Dual Installation Kit

Notes : Additional accessories are available for this installation. Please ask your local retailer for more information.

Specifications Summary

Group 1

MODEL	OVERALL DIMENSIONS	WEIGHT	OPENING DIMENSIONS
<p>IC-30RID</p> <p><a href="#">3D Studio Max (3DS)</a> <a href="#">3D AutoCad (DWG)</a> <a href="#">2D AutoCad (DWG)</a>  <a href="#">AutoCad (DXF)</a> <a href="#">ArchiCad (GSM)</a> <a href="#">3D Studio Max (MAX)</a>  <a href="#">Wavefront 3D (OBJ)</a> <a href="#">Revit Files (RFA)</a> <a href="#">SketchUp (SKP)</a>  <a href="#">QR SHEET</a> <a href="#">Subzero Design Guide</a> <a href="#">Model Detail</a></p>	<p>30" <small>W</small></p> <p>84" <small>H</small></p> <p>24" <small>D</small></p>	<p>0</p>	<p>54" <small>W</small></p> <p>84" <small>H</small></p> <p>25" <small>D</small></p>
<p>IC-24R</p> <p><a href="#">3D Studio Max (3DS)</a> <a href="#">3D AutoCad (DWG)</a> <a href="#">2D AutoCad (DWG)</a>  <a href="#">AutoCad (DXF)</a> <a href="#">ArchiCad (GSM)</a> <a href="#">3D Studio Max (MAX)</a>  <a href="#">Wavefront 3D (OBJ)</a> <a href="#">Revit Files (RFA)</a> <a href="#">SketchUp (SKP)</a>  <a href="#">QR SHEET</a> <a href="#">Subzero Design Guide</a> <a href="#">Model Detail</a></p>	<p>24" <small>W</small></p> <p>84" <small>H</small></p> <p>24" <small>D</small></p>	<p>353 lbs</p>	

Planning Notes

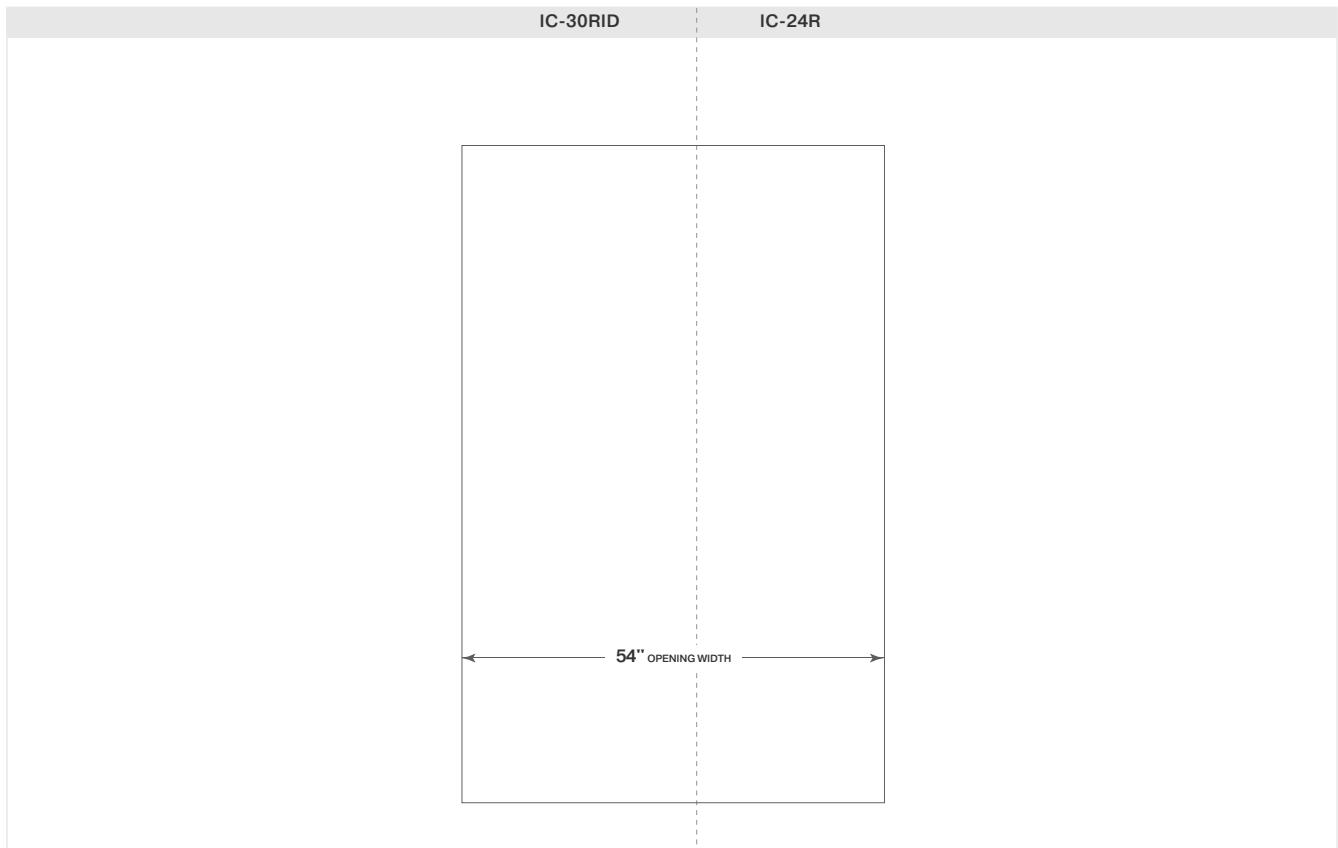
Group 1

Designer Refrigeration

The depth of each designer model is 24" (610). Allow for panel thickness when planning the finished opening depth. A minimum 3 1/2" (89) finished return is required on all sides of the opening. Framed cabinets will require additional finished filler material behind the face frame for a proper installation.

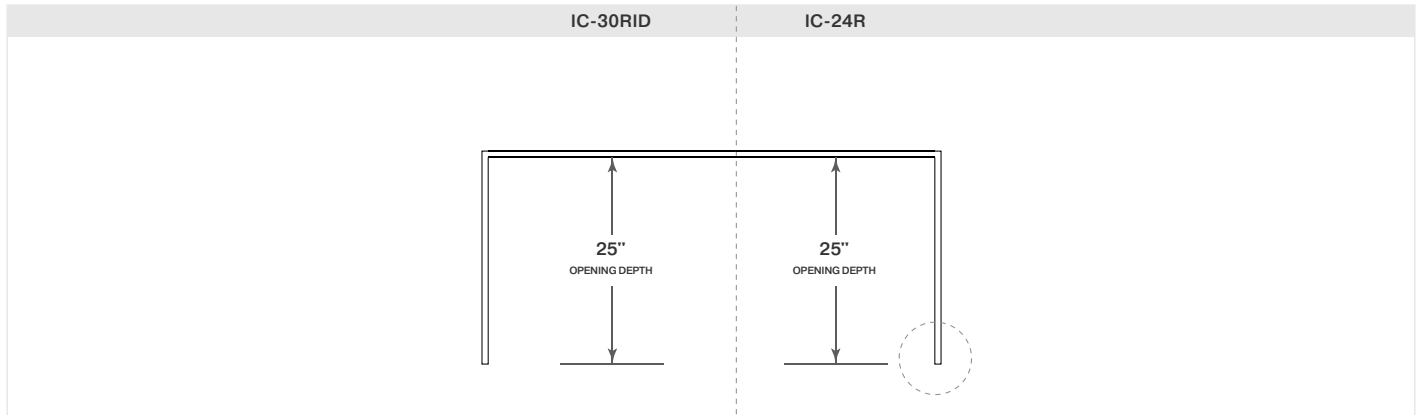
Front View

Group 1



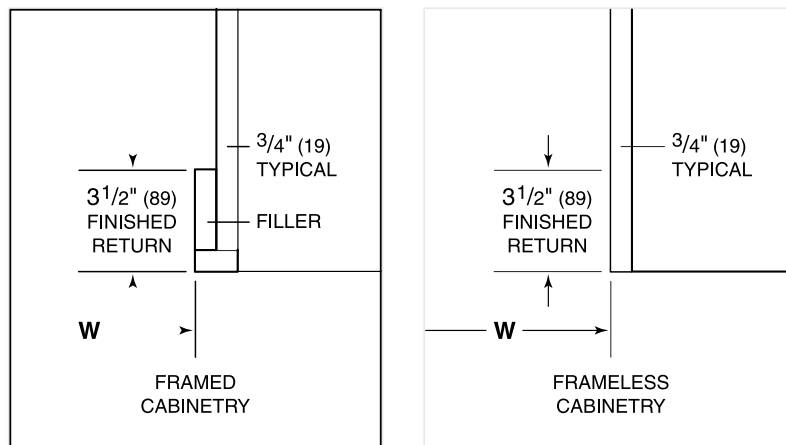
Top View

Group 1



Top View Detail

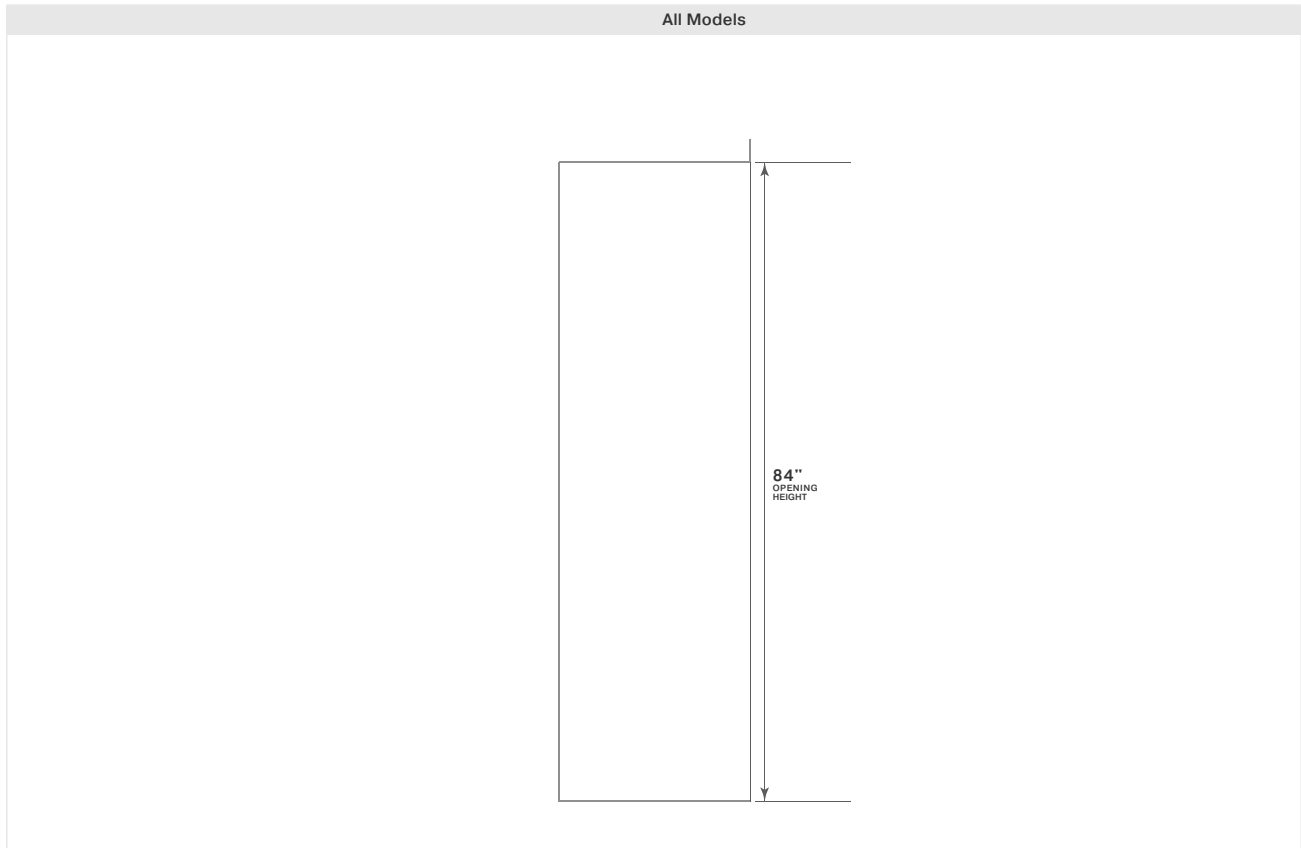
Group 1



The depth of each designer model is 24" (610). Allow for panel thickness when planning the finished opening depth. A minimum 3 1/2" (89) finished return is required on all sides of the opening. Framed cabinets will require additional finished filler material behind the face frame for a proper installation.

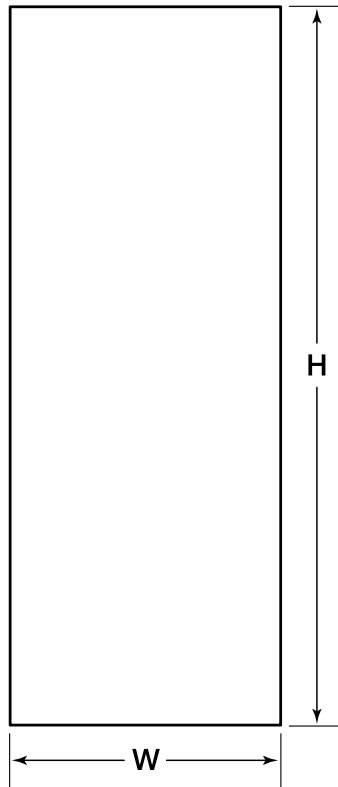
Side View

Group 1



IC-30RID Panel Specifications

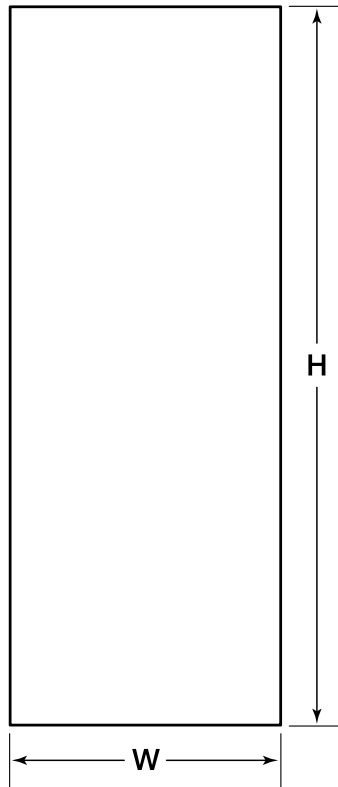
Group 1



PANEL	WIDTH	HEIGHT	MIN THICKNESS	MAX WEIGHT
Door	29 <sup>13</sup> / <sub>16</sub> "	79 <sup>7</sup> / <sub>8</sub> "	<sup>5</sup> / <sub>8</sub> "	75 lbs

IC-24R Panel Specifications

Group 1



PANEL	WIDTH	HEIGHT	MIN THICKNESS	MAX WEIGHT
Door	23 <sup>13</sup> / <sub>16</sub> "	79 <sup>7</sup> / <sub>8</sub> "	<sup>5</sup> / <sub>8</sub> "	60 lbs



**Panel Planning Notes**

Group 1

For designer models, custom door panels and handle hardware must be provided.

The thickness of the custom panel can vary. A minimum 5/8" (16) thick panel is required, but the thickness can be increased provided it does not exceed the weight limit.

The depth of each designer model is 24" (610). Allow for panel thickness when planning the finished opening depth.

D-style handles are recommended. Door handles must be located near the edge of the panel opposite the hinge and should be centered top to bottom.

Typical panel dimensions are based on an 84" (2134) finished height for column and tall models and 1/8" (3) reveals. Panel dimensions must be adjusted accordingly for all other installations. Finish all sides of custom panels. They will be visible when the door/drawer is open.

Stainless steel tubular and pro handles are available through an authorized Sub-Zero dealer.

**Minimum Panel Thickness**

5/8"

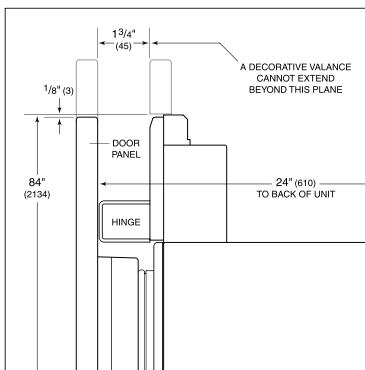
**Standard Handle Lengths (Optional)**

HANDLE	TUBULAR	PRO
IC-24R Door	50 1/8"	48 3/8"
IC-30RID Door	50 1/8"	48 3/8"

**Door Panel Height**

Typical panel dimensions are based on an 84" (2134) finished height for column and tall models and 34 1/2" (876) for drawer models, with a 4" (102) toe kick and 1/8" (3) reveals.

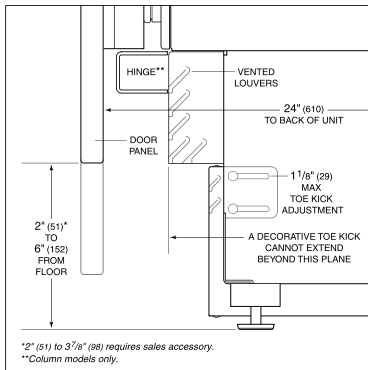
The height of the custom door panel can extend beyond the typical panel height, provided it does not exceed the weight limit.



Upper valance—column and tall (side view).

**Toe Kick Clearance**

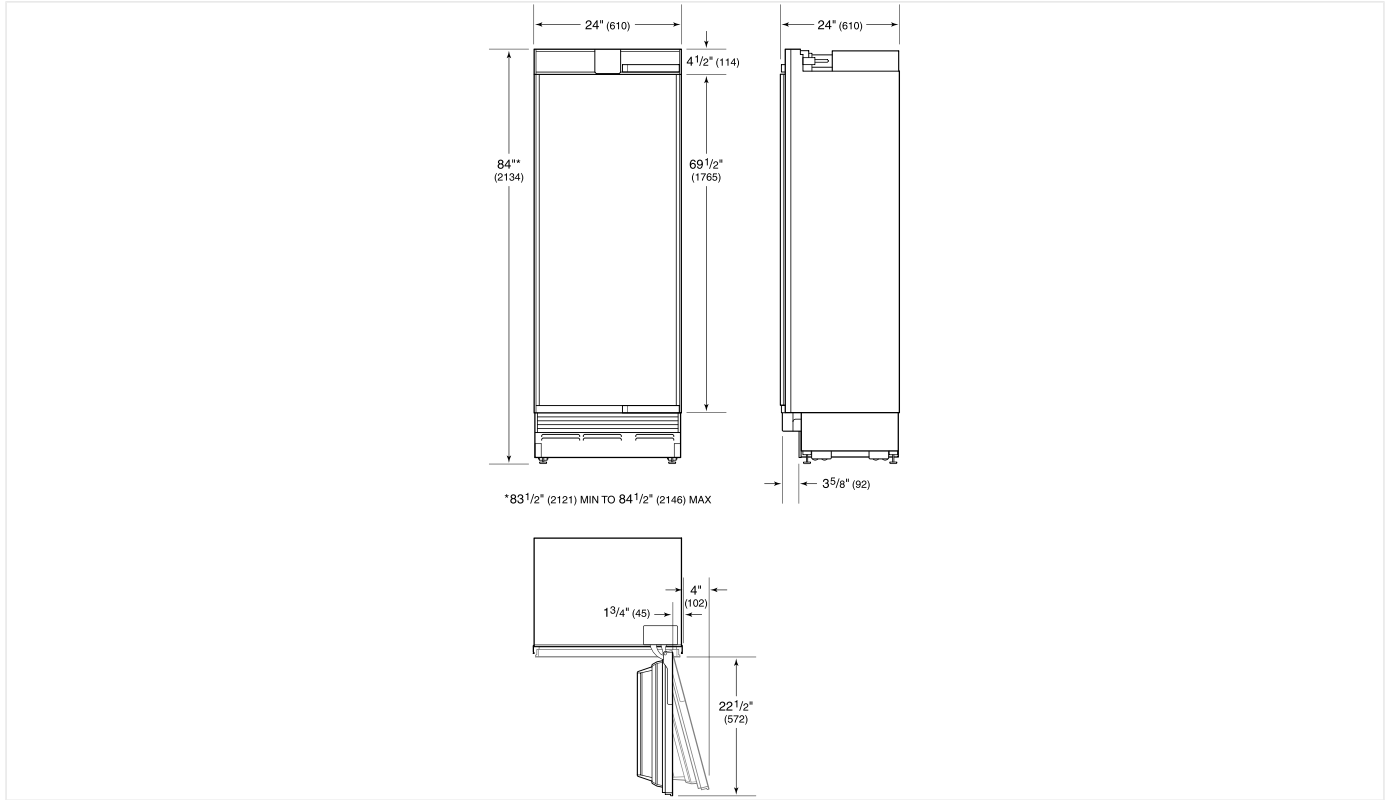
The height of the toe kick area can extend beyond the typical toe kick height, provided it does not exceed the dimensions in the illustration below. Toe kick heights from 2" (51) to 3 7/8" (98) require a reduced toe kick accessory available through an authorized Sub-Zero dealer.



Toe kick (side view).

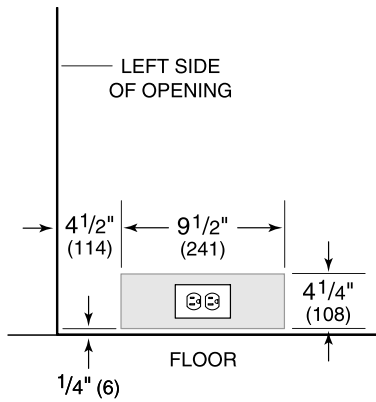
IC-24R Overall Dimensions

Group 1



IC-24R Electrical

Group 1



Electrical Supply	grounded, 115 VAC, 60 Hz
Electrical Service	15 amp dedicated circuit

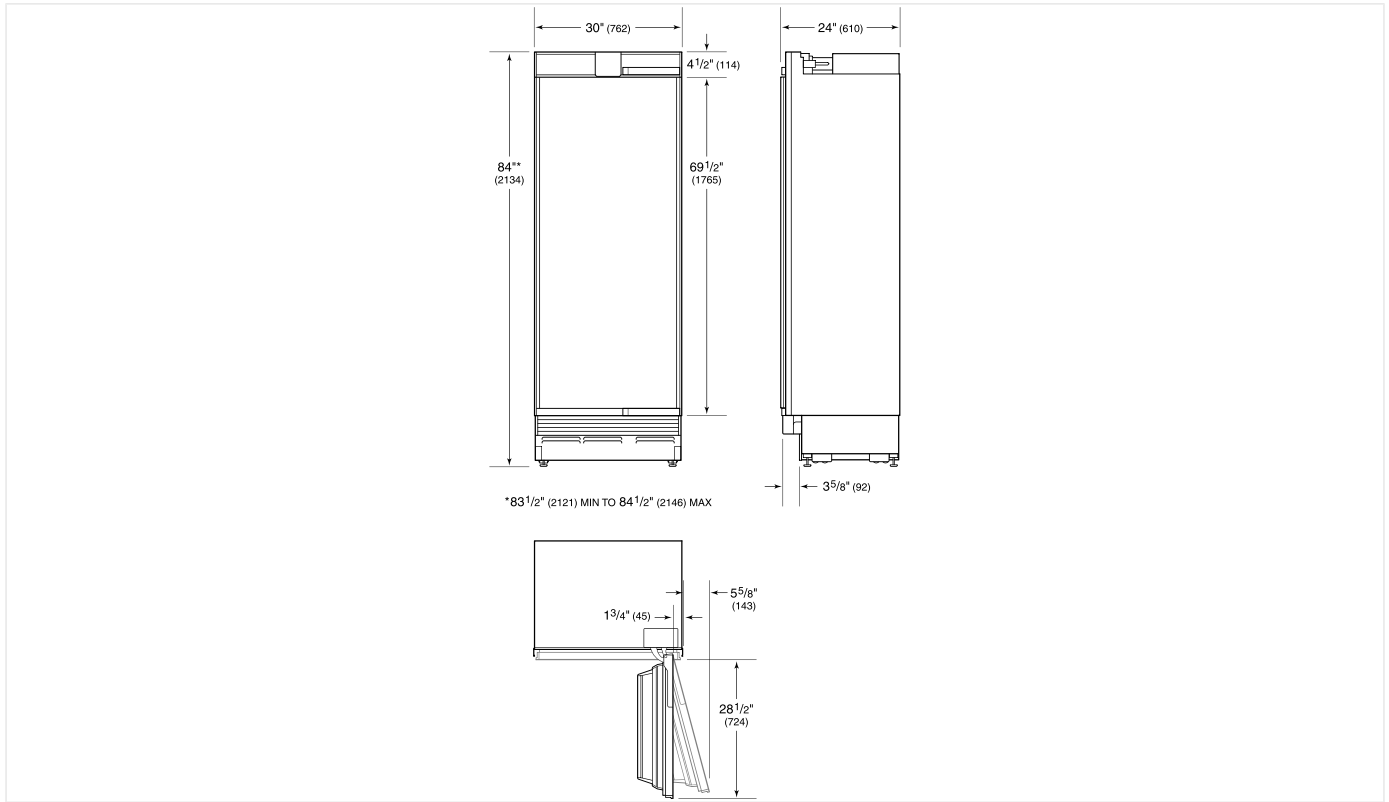
**WARNING**

Installation must comply with all applicable electrical codes.

A separate circuit, servicing only this appliance is required. A ground fault circuit interrupter (GFCI) is not recommended and may cause interruption of operation. Installation must comply with all applicable electrical codes.

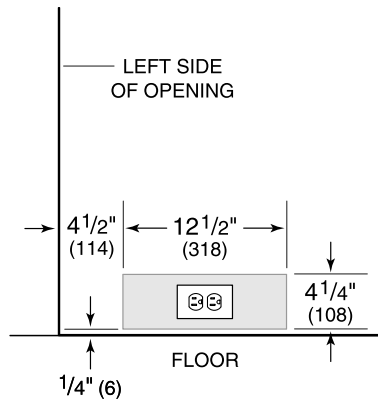
IC-30RID Overall Dimensions

Group 1



IC-30RID Electrical

Group 1



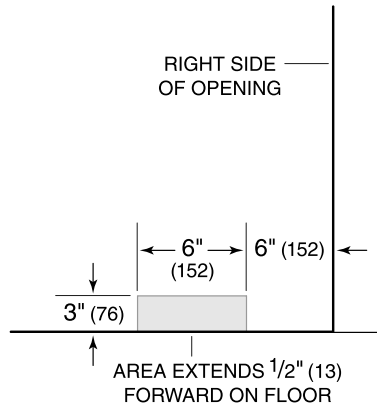
Electrical Supply	grounded, 115 VAC, 60 Hz
Electrical Service	15 amp dedicated circuit

**WARNING**  
 Installation must comply with all applicable electrical codes.

A separate circuit, servicing only this appliance is required. A ground fault circuit interrupter (GFCI) is not recommended and may cause interruption of operation. Installation must comply with all applicable electrical codes.

IC-30RID Plumbing

Group 1



Water Supply

1/4" OD copper, braided stainless steel or PEX tubing

The water supply line should be connected to the house supply with an easily accessible shut-off valve. Do not use self-piercing valves. The water supply line must not interfere with installation of the anti-tip brackets. A reverse osmosis system can be used provided there is constant water pressure of 35–120 psi (2.4–8.3 bar) supplied to the unit at all times. A copper line is not recommended for this application. Installation must comply with all applicable plumbing codes.

## ID-24R: Panel Specs Only, Custom Panels, 4" Toe Kick

### Specifications:

- Panel Specifications
- Panel Planning Notes

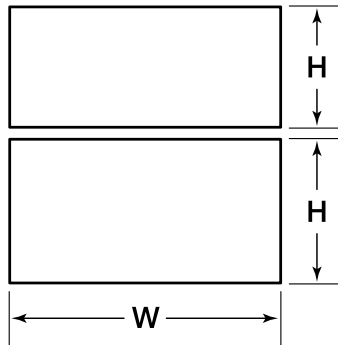


ID-24R  
24" Designer Refrigerator Drawers - Panel Ready

Notes : Additional accessories are available for this installation. Please ask your local retailer for more information.

Panel Specifications

Single Model: ID-24R



PANEL	WIDTH	HEIGHT	MIN THICKNESS	MAX WEIGHT
Drawer (Upper)	23 <sup>3</sup> / <sub>4</sub> "	13 <sup>9</sup> / <sub>16</sub> "	<sup>5</sup> / <sub>8</sub> "	15 lbs
Drawer (Lower)	23 <sup>3</sup> / <sub>4</sub> "	16 <sup>11</sup> / <sub>16</sub> "	<sup>5</sup> / <sub>8</sub> "	15 lbs

**Panel Planning Notes**

Single Model: ID-24R

Designer models require custom drawer panels and handle hardware. D-style handles are recommended. Drawer handles must be located near the top edge of each panel.

The thickness of the custom panel can vary. A minimum 5/8" (16) thick panel is required, but the thickness can be increased provided it does not exceed the weight limit.

The depth of each designer model is 24" (610). Allow for panel thickness when planning the finished opening depth.

Finish all sides of custom panels. They will be visible when the door/drawer is open.

Typical panel dimensions are based on a 34 1/2" (876) for drawer models and 1/8" (3) reveals. Panel dimensions must be adjusted accordingly for all other installations.

Stainless steel tubular and pro handles are available through an authorized Sub-Zero dealer.

**Minimum Panel Thickness**

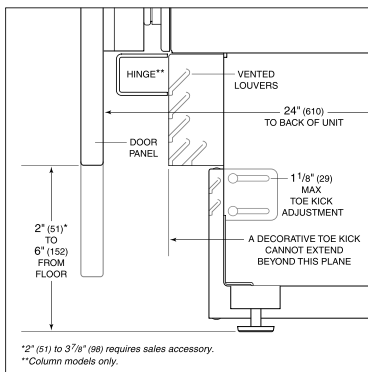
5/8"

**Standard Handle Lengths (Optional)**

HANDLE	TUBULAR	PRO
ID-24R Drawer	21 1/4"	19 1/2"

**Toe Kick Clearance**

The height of the toe kick area can extend beyond the typical toe kick height, provided it does not exceed the dimensions in the illustration below. Toe kick heights from 2" (51) to 3 7/8" (98) require a reduced toe kick accessory available through an authorized Sub-Zero dealer.



Toe kick (side view).



## DW2450WS: Opening and Panel Specs, Custom Panel, 4" Toe Kick, 24" Install

### Specifications:

[Specifications Summary](#)

[Front View](#)

[Side View](#)

[Top View](#)

[Top View Detail](#)

[Panel Specifications](#)

[Panel Planning Notes](#)

[Additional Requirements](#)



DW2450WS

24" Dishwasher with Water Softener - Panel Ready

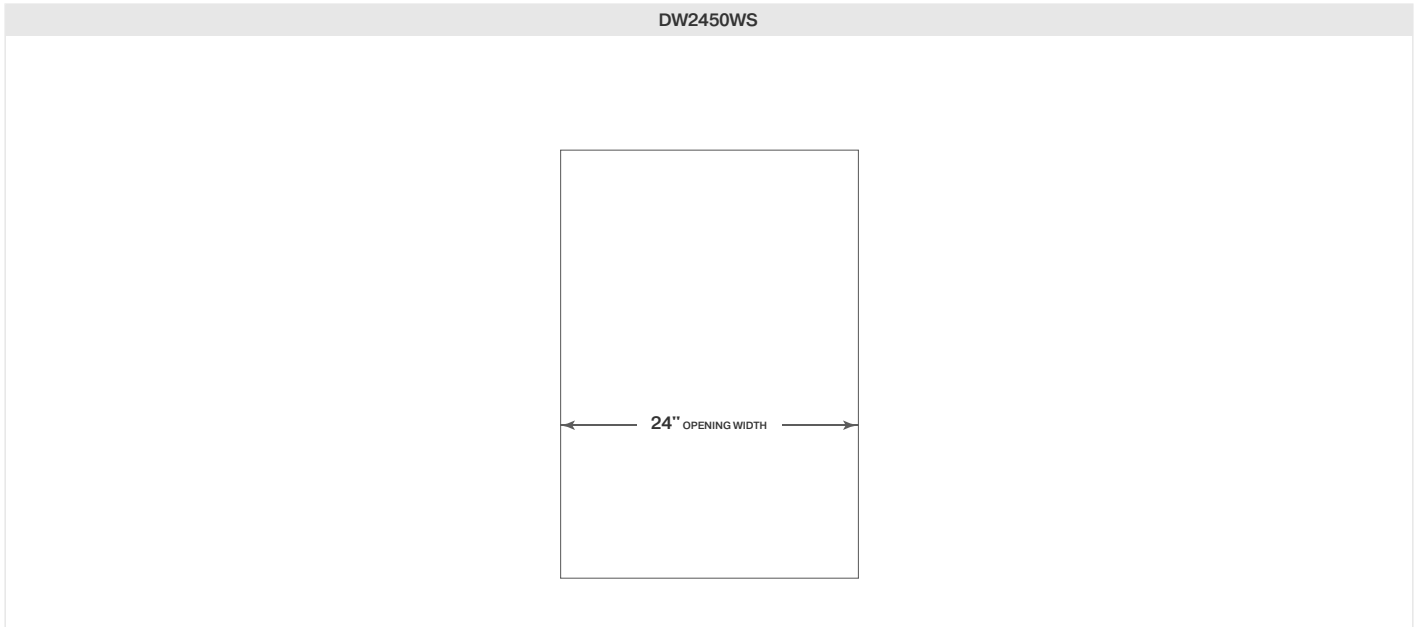
Specifications Summary

Single Model: DW2450WS

MODEL	OVERALL DIMENSIONS
<p>DW2450WS</p> <p><a href="#">3D Studio Max (3DS)</a> <a href="#">2D AutoCad (DWG)</a></p> <p><a href="#">3D AutoCad (DWG)</a> <a href="#">AutoCad (DXF)</a> <a href="#">ArchiCad (GSM)</a></p> <p><a href="#">3D Studio Max (MAX)</a> <a href="#">Wavefront 3D (OBJ)</a></p> <p><a href="#">Revit Files (RFA)</a> <a href="#">SketchUp (SKP)</a> <a href="#">QR SHEET</a></p> <p><a href="#">Model Detail</a></p>	<p>23 5/8" <b>W</b></p> <p>34 1/2" <b>H</b></p> <p>23 1/4" <b>D</b></p>

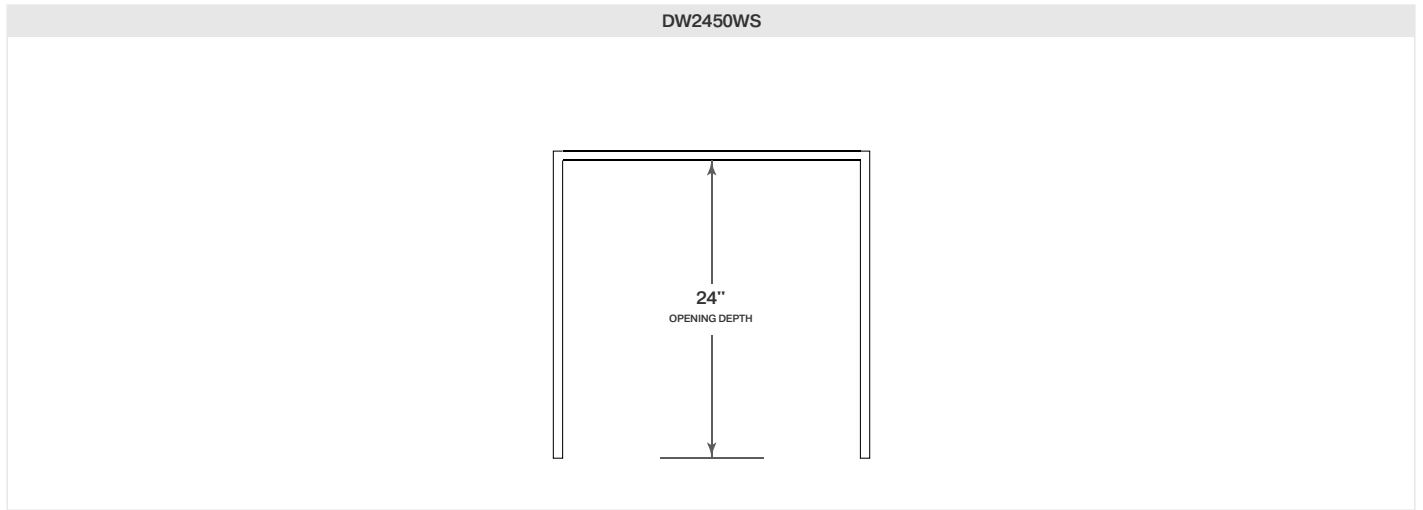
Front View

Single Model: DW2450WS



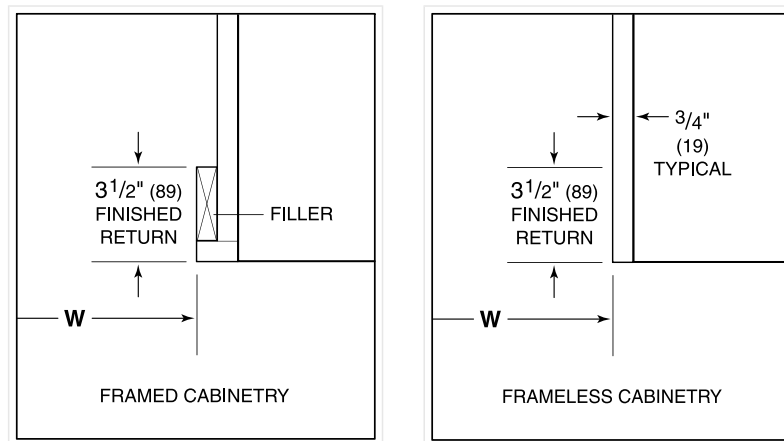
Top View

Single Model: DW2450WS



Top View Detail

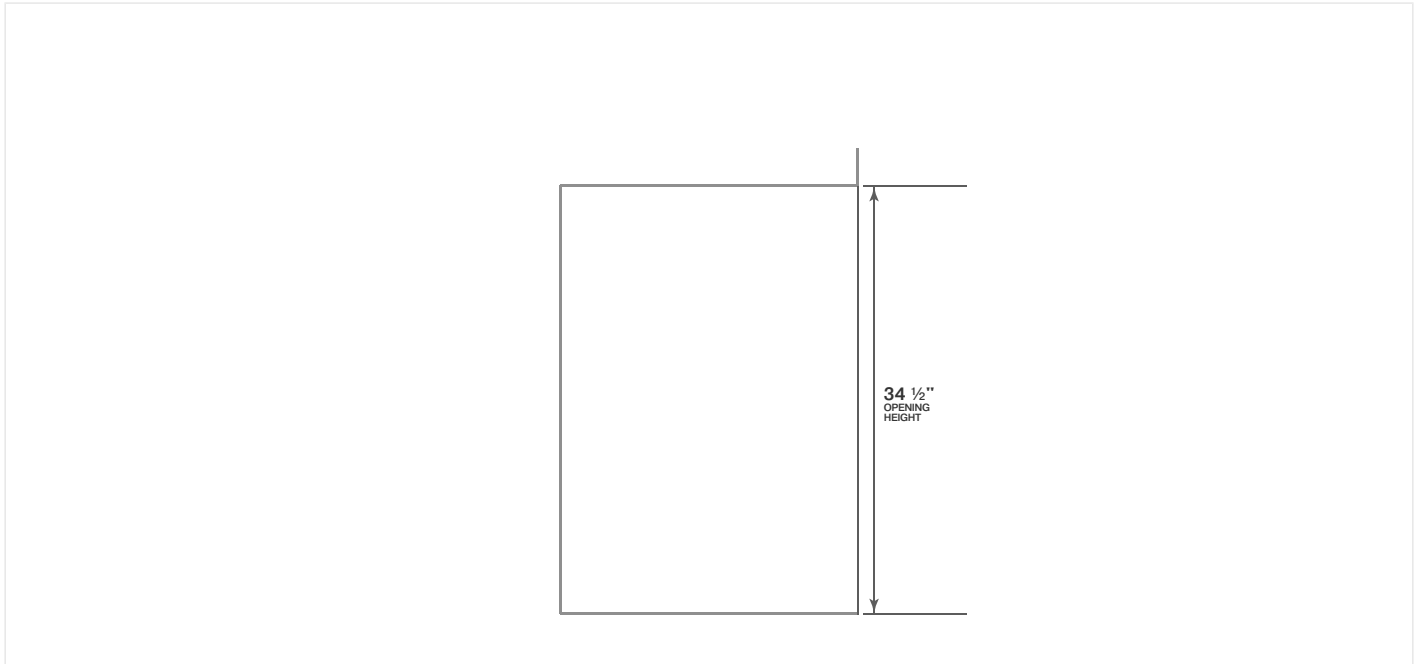
Single Model: DW2450WS



The depth of each dishwasher model is 23 1/4" (591). Allow for panel thickness when planning the finished opening depth. A minimum 3 1/2" (89) finished return is required on all sides of the opening. Framed cabinets will require additional finished filler material behind the face frame for a proper installation.

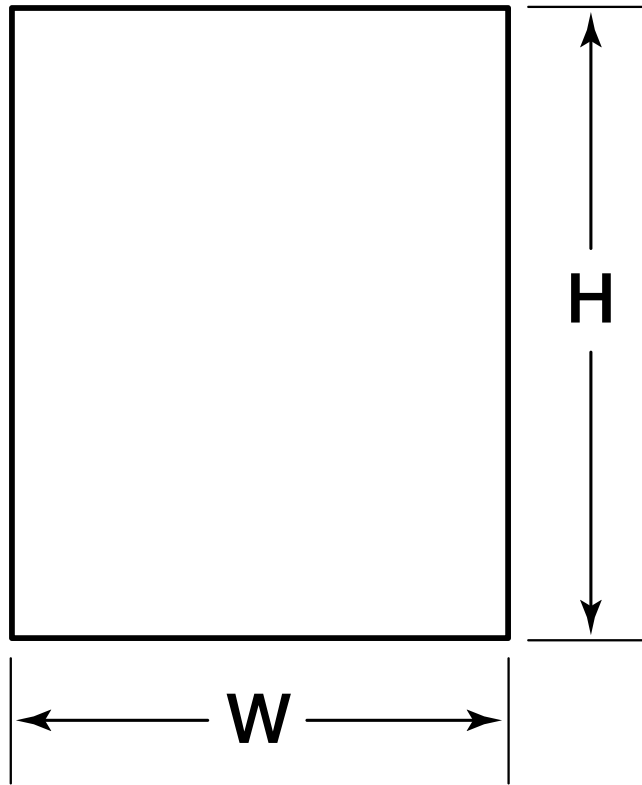
Side View

Single Model: DW2450WS



Panel Specifications

Single Model: DW2450WS



PANEL	WIDTH	HEIGHT	MIN THICKNESS	MAX WEIGHT
Door	23 <sup>3</sup> / <sub>4</sub> "	30 <sup>3</sup> / <sub>8</sub> "	1/2 "	16 lbs

## Panel Planning Notes

Single Model: DW2450WS

The thickness of the custom panel can vary. A minimum 1/2" (13) thick panel is required, but the thickness can be increased provided it does not exceed the 20 lb weight limit (less than 16 lb is optimal).

The depth of each dishwasher is 23 1/4" (591). Allow for panel thickness when planning the finished opening depth.

Finish all sides of custom panels. They will be visible when the door is open.

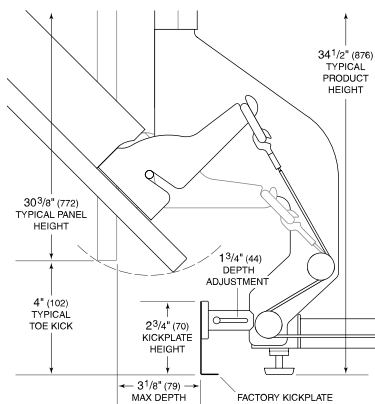
The panel dimensions are based on a 34 1/2" (876) opening height and 1/8" (3) top reveal. For all other opening heights, adjust the panel accordingly. The minimum panel height is 28" (711). The minimum toe kick height is 4" (102).

Stainless steel tubular and pro handles are available through an authorized Sub-Zero dealer.

### Minimum Panel Thickness

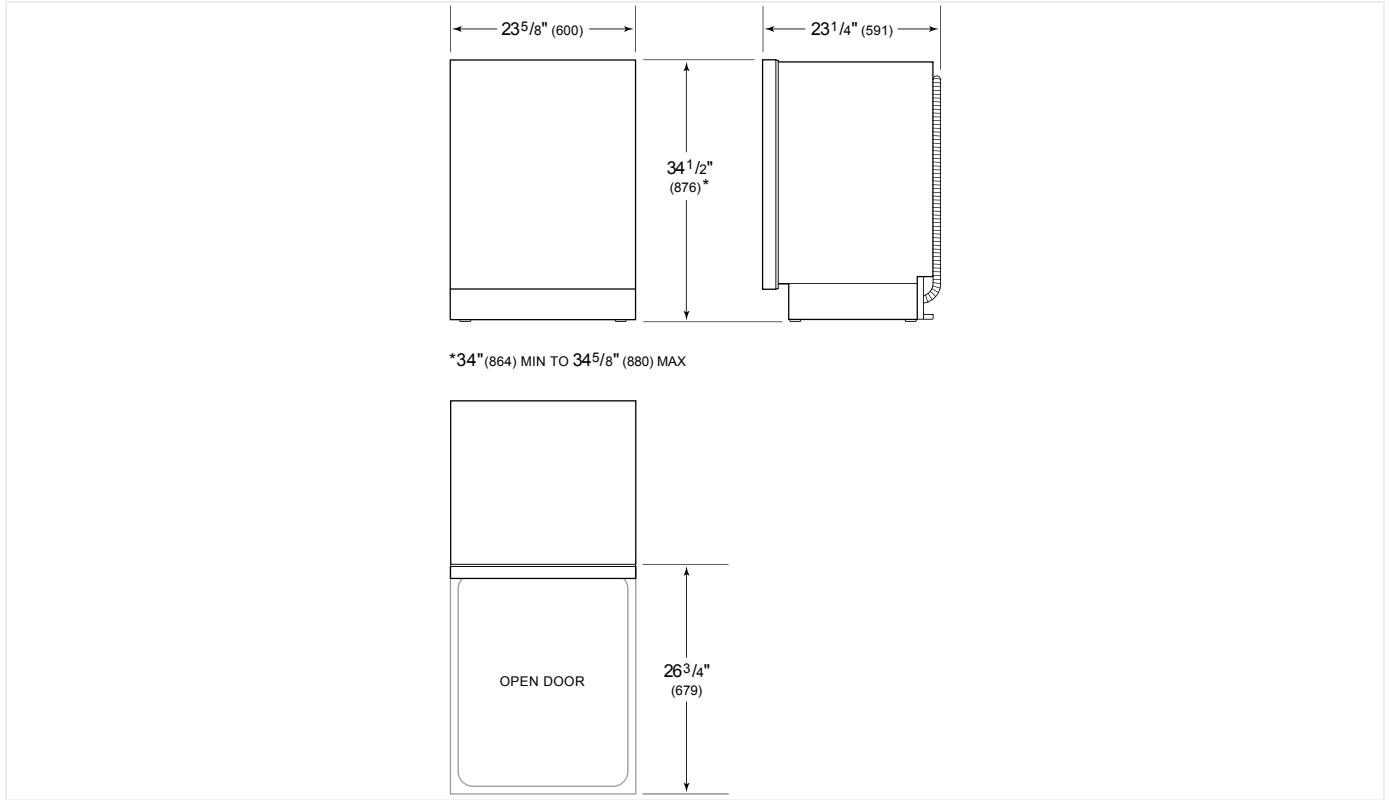
1/2"

### Toe Kick Clearance



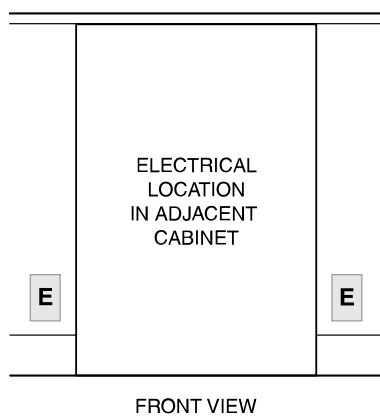
Overall Dimensions

Single Model: DW2450WS



Electrical

Single Model: DW2450WS



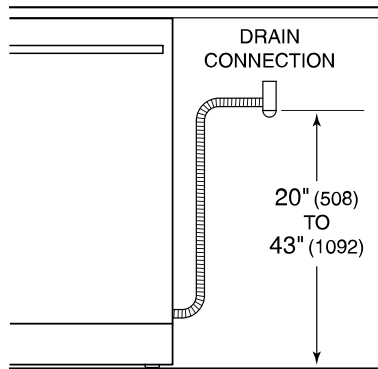
>	
Electrical Supply	grounded, 115 VAC, 60 Hz
Electrical Service	15 amp dedicated circuit
Receptacle	3-prong grounding-type
Cord Length	6'

**WARNING**

Installation must comply with all applicable electrical codes.

Plumbing

Single Model: DW2450WS



Water Connection	5' braided tubing with 3/8" female compression fitting
Drain Connection	5' (1.5 m) corrugated tubing
Pressure	30–140 psi



## SRT486C

### Specifications:

[Specifications Summary](#)

[Planning Notes](#)

[Views](#)

[Additional Requirements](#)



SRT486C

48" Sealed Burner Rangetop - 6 Burners and Infrared Charbroiler

Notes : Additional accessories are available for this installation. Please ask your local retailer for more information.

Specifications Summary

Single Model: SRT486C

MODEL	OVERALL DIMENSIONS
SRT486C <a href="#">3D Studio Max (3DS)</a> <a href="#">3D AutoCad (DWG)</a> <a href="#">AutoCad (DXF)</a> <a href="#">ArchiCad (GSM)</a> <a href="#">3D Studio Max (MAX)</a> <a href="#">Wavefront 3D (OBJ)</a> <a href="#">Revit Files (RFA)</a> <a href="#">SketchUp (SKP)</a> <a href="#">QR SHEET</a> <a href="#">Wolf Design Guide</a> <a href="#">Model Detail</a>	47 <sup>7</sup> / <sub>8</sub> " <b>W</b> 8 <sup>1</sup> / <sub>2</sub> " <b>H</b> 28 <sup>1</sup> / <sub>2</sub> " <b>D</b>

Planning Notes

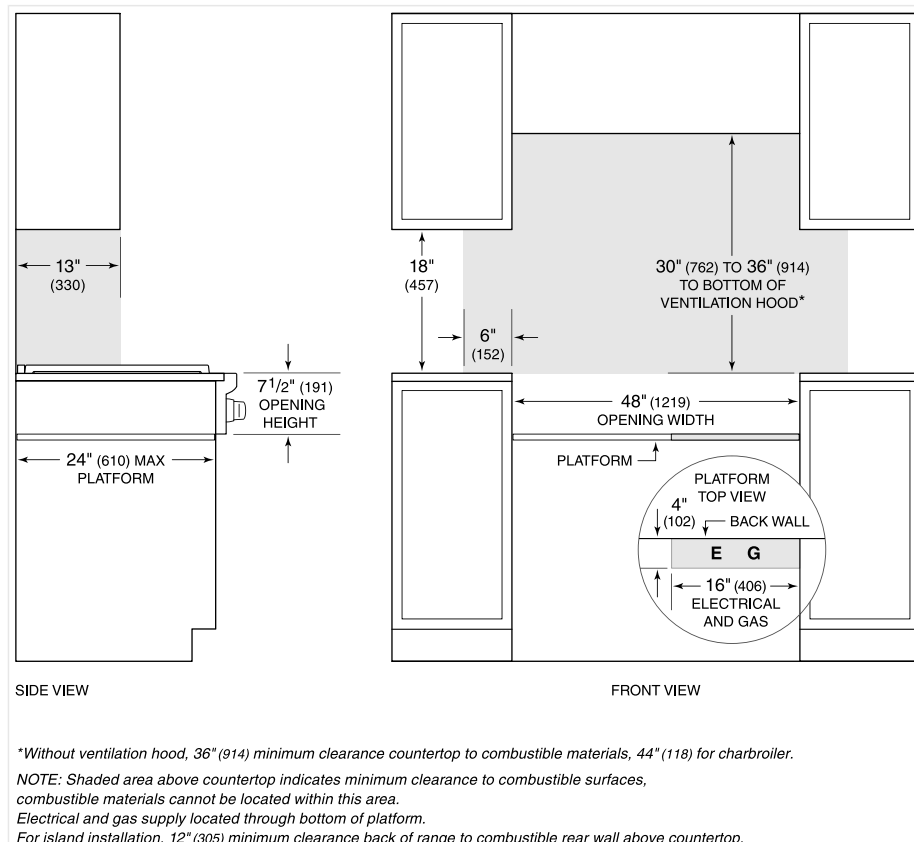
Single Model: SRT486C

Rangetops

When installing against a combustable surface, a minimum 5" (127) riser is required for model SRT366, and a minimum 10" (254) riser is required for 36" and 48" sealed burner rangetops with a charbroiler or griddle. Models SRT362W and SRT484W cannot be installed against a combustable surface.

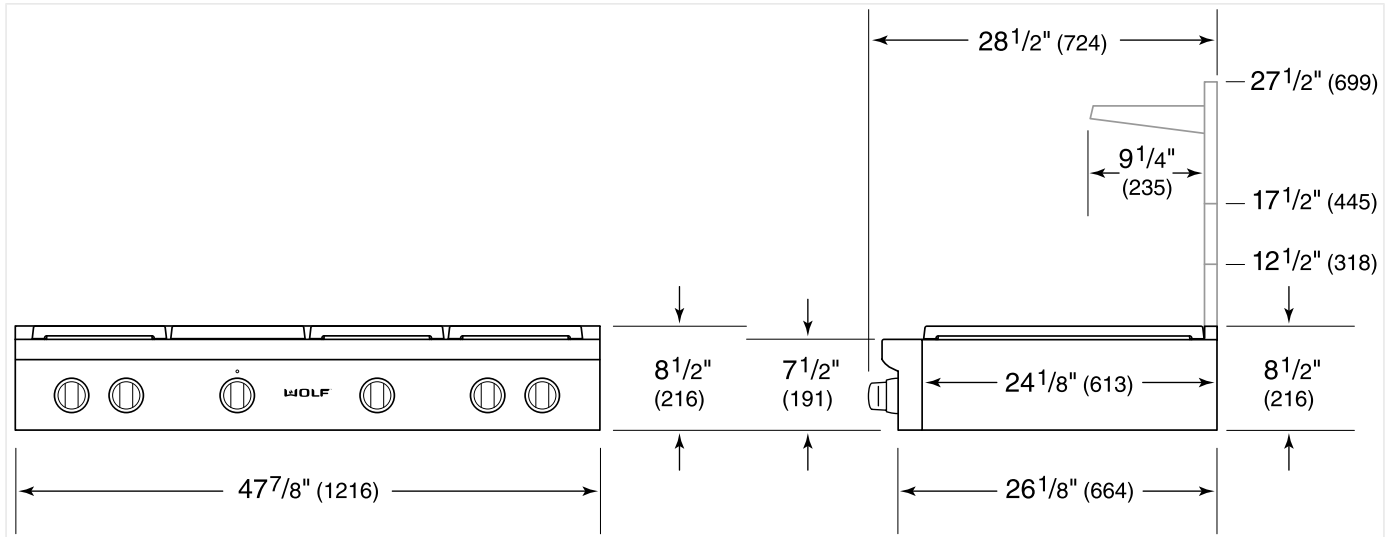
Views

Single Model: SRT486C



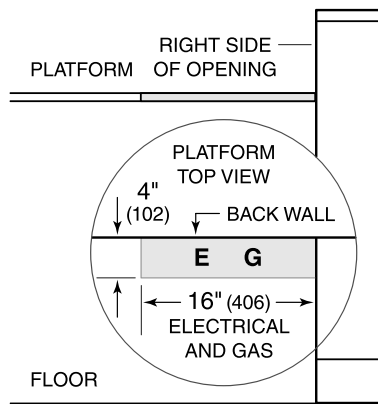
Overall Dimensions

Single Model: SRT486C



Electrical

Single Model: SRT486C



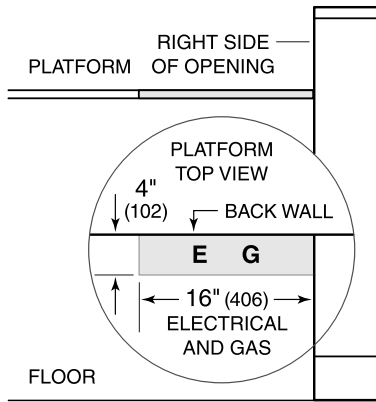
>	
Electrical Supply	grounded, 120 VAC, 60 Hz
Electrical Service	15 amp dedicated circuit
Receptacle	3-prong grounding-type

**WARNING**

Installation must comply with all applicable electrical codes.

Gas

Single Model: SRT486C



Gas Supply	3/4" ID line
Gas Inlet	1/2" NPT female

A gas supply line of 3/4" (19) rigid pipe must be provided to the rangetop. If local codes permit, a certified, 3' (.9 m) long, 1/2" (13) or 3/4" (19) ID flexible metal appliance connector is recommended to connect the units 1/2" NPT female inlet to the gas supply line.

Wolf natural gas rangetops will function up to 10,250' (3124 m) in altitude without adjustment and LP gas rangetops up to 8,600' (2621 m).

## DO30PM/S/PH: Flush Inset Installation

### Specifications:

[Specifications Summary](#)

[Planning Notes](#)

[Front View](#)

[Side View](#)

[Top View](#)

[Additional Requirements](#)



DO30PM/S/PH  
30" M Series Professional Built-In Double Oven

Notes : Additional accessories are available for this installation. Please ask your local retailer for more information.

Specifications Summary

Single Model: DO30PM/S/PH

SECTION A

MODEL	OVERALL DIMENSIONS	OPENING DIMENSIONS	CLEAT DEPTH	TRIM OVERLAP	BASE SUPPORT
DO30PM/S/PH <a href="#">3D Studio Max (3DS)</a> <a href="#">3D AutoCad (DWG)</a> <a href="#">2D AutoCad (DWG)</a> <a href="#">AutoCad (DXF)</a> <a href="#">ArchiCad (GSM)</a> <a href="#">3D Studio Max (MAX)</a> <a href="#">Wavefront 3D (OBJ)</a> <a href="#">Revit Files (RFA)</a> <a href="#">SketchUp (SKP)</a> <a href="#">QR SHEET</a> <a href="#">Wolf Design Guide</a> <a href="#">Model Detail</a>	29 7/8" <b>W</b> 49 7/8" <b>H</b> 23" <b>D</b>	30 1/8" <b>W</b> 51 1/8" <b>H</b> 24" <b>D</b>	7/8"	1" Top 0" Bottom 1 1/16" Sides	400 lbs

Planning Notes

Single Model: DO30PM/S/PH

Cleats will be visible and should be finished to match the cabinetry.

If two products with different reveals are specified, the larger reveal must be used.

Dimensions provided assume minimum allowable reveals.

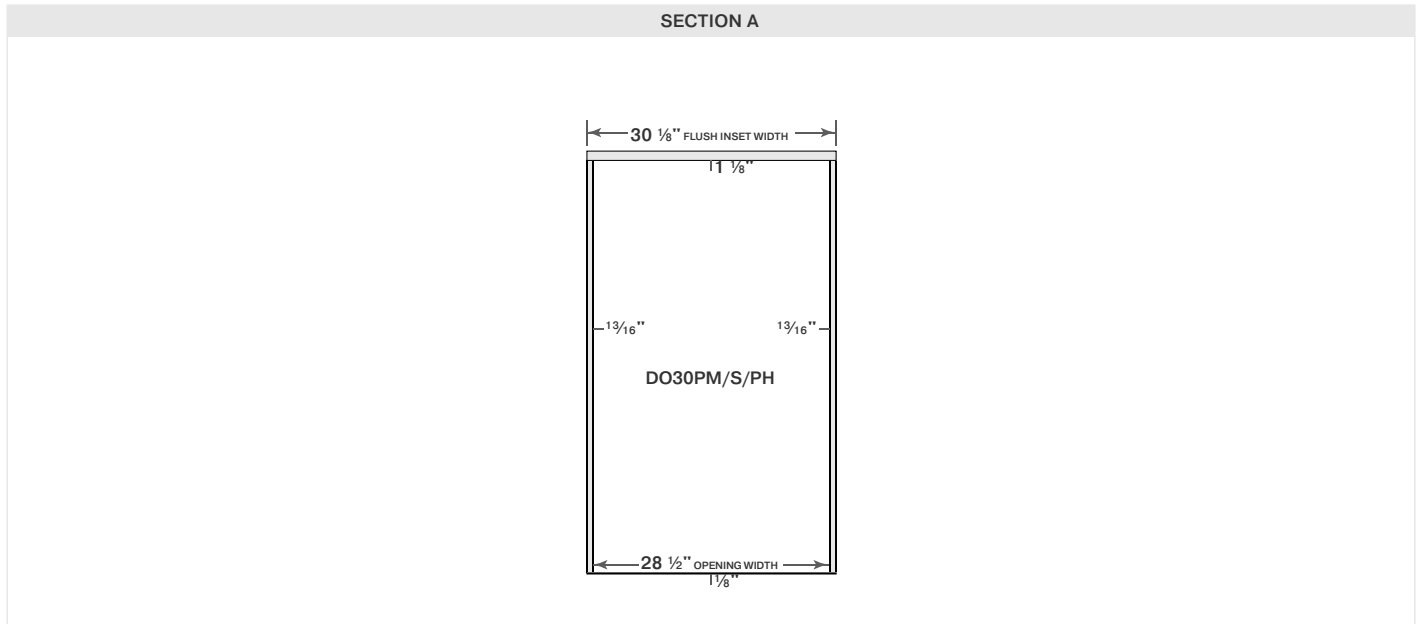
**M Series Built-In Ovens**

If a cooktop is being installed above an oven, a minimum of 1/4" (6) is required between units.

A minimum 1/8" (3) reveal is required on all sides.

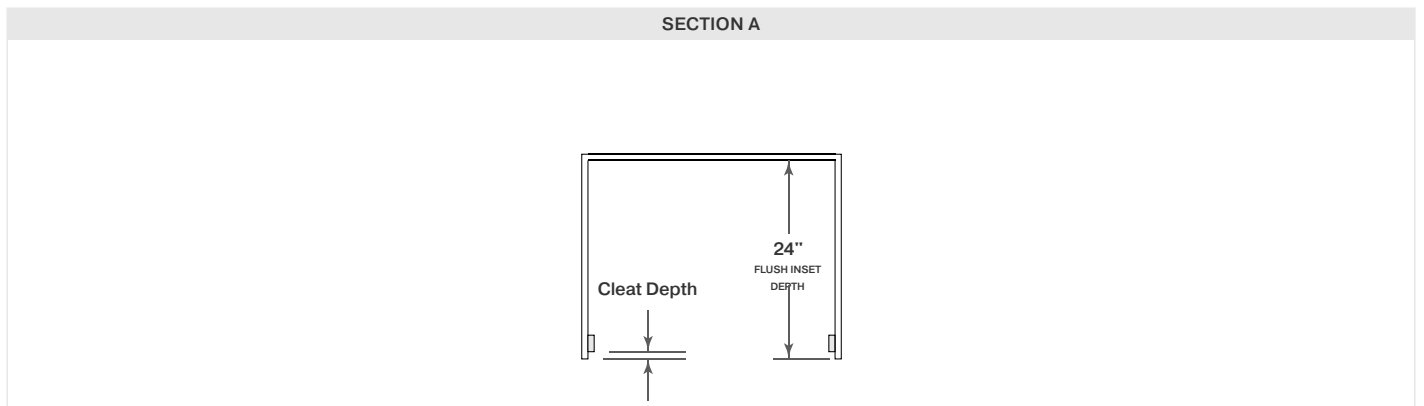
Front View

Single Model: DO30PM/S/PH



Top View

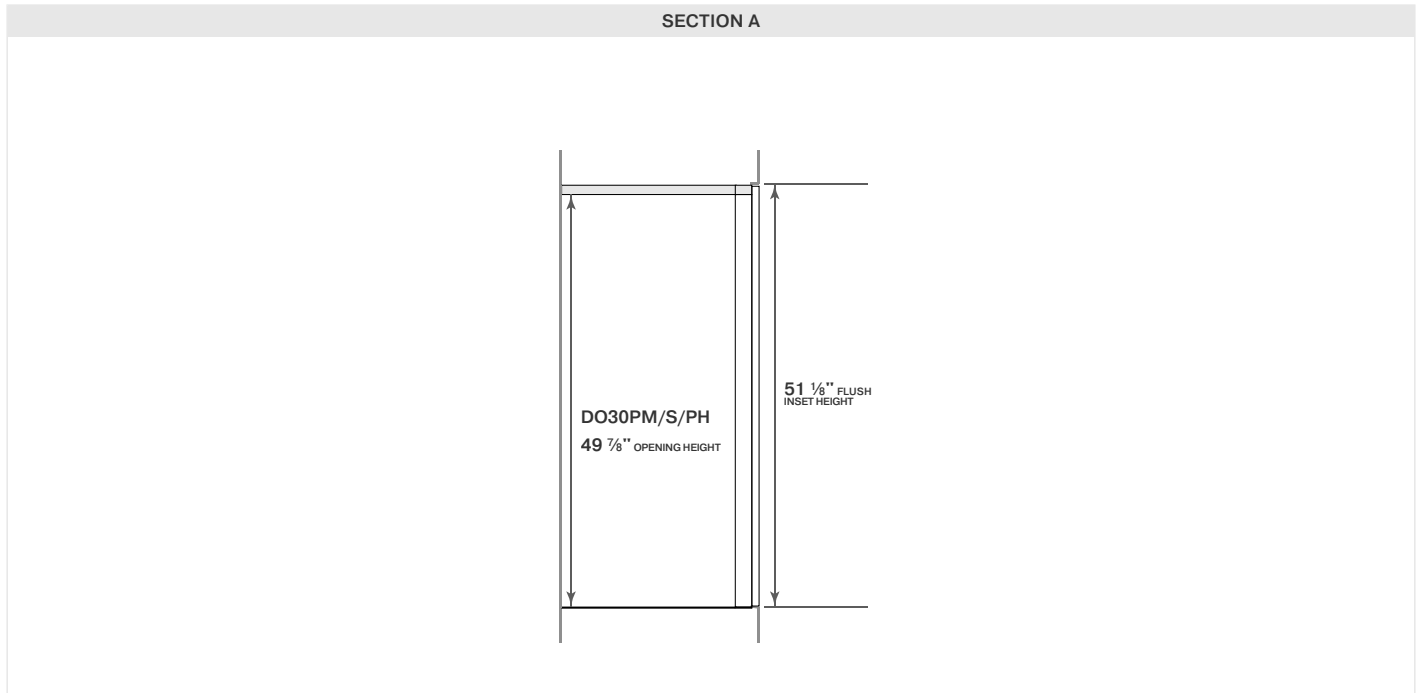
Single Model: DO30PM/S/PH



Side View

Single Model: DO30PM/S/PH

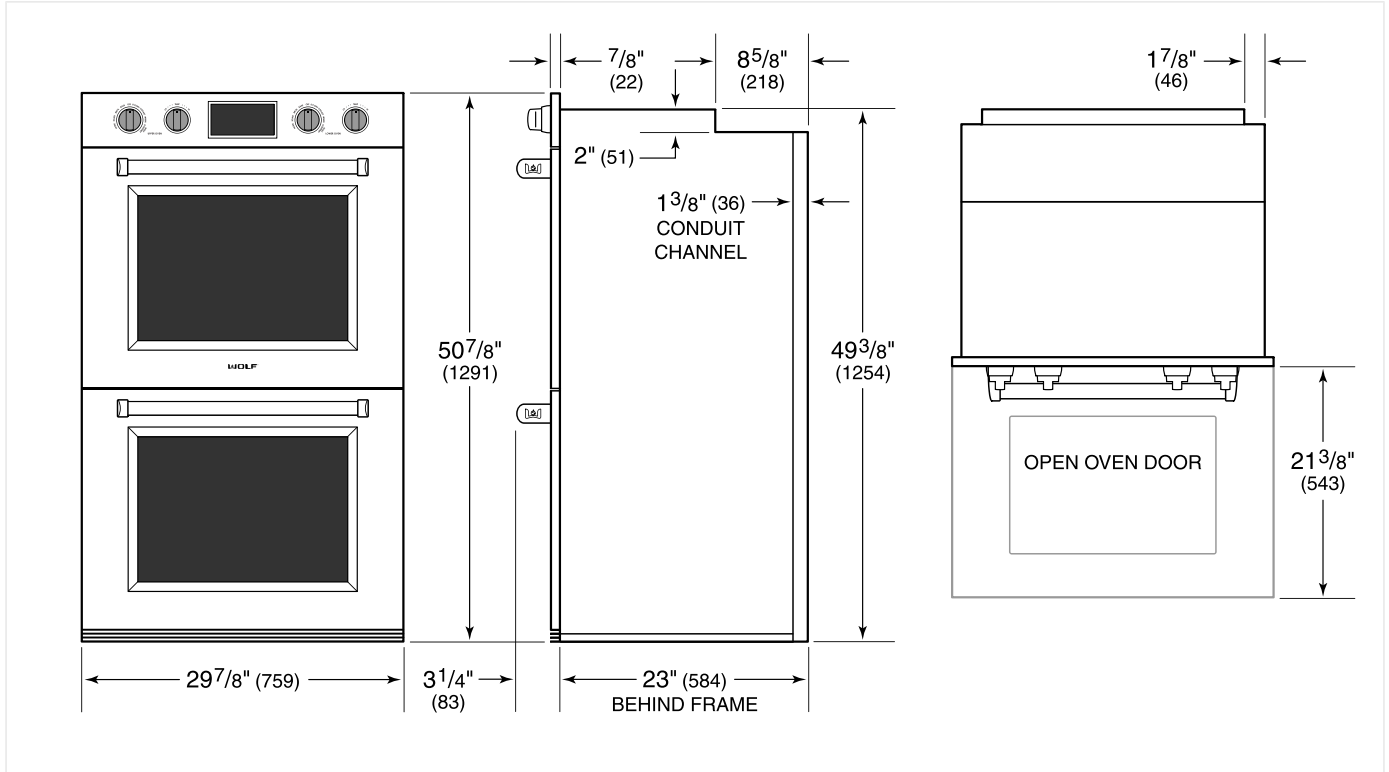
SECTION A





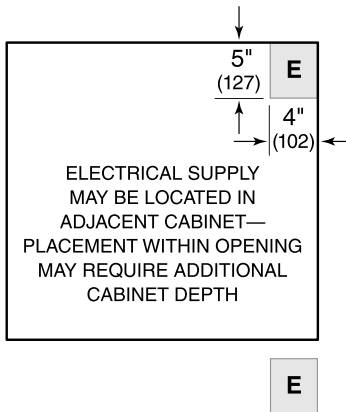
Overall Dimensions

Single Model: DO30PM/S/PH



Electrical

Single Model: DO30PM/S/PH



Electrical Supply	grounded, 240/208 VAC, 60 Hz
Electrical Service	50 amp dedicated circuit
Conduit Length	5 Feet

**WARNING**

Installation must comply with all applicable electrical codes.

Performance may be compromised if the electrical supply is less than 240 volts.

The oven is supplied with a conduit consisting of two insulated hot lead conductors and a bare ground conductor. The wiring diagram covering the control circuit is provided with the oven.

## PL461912

### Specifications:

[Specifications Summary](#)

[Planning Notes](#)

[Additional Requirements](#)



PL461912  
46" Pro Hood Liner - 19" Depth



814423  
1200 CFM Internal Blower

Notes : Additional accessories are available for this installation. Please ask your local retailer for more information.

Specifications Summary

Single Model: PL461912

MODEL	OVERALL DIMENSIONS	BOTTOM OF HOOD TO COUNTERTOP	DISCHARGE LOCATION	DISCHARGE DIMENSIONS	WEIGHT
PL461912 <a href="#">3D Studio Max (3DS)</a> <a href="#">3D AutoCad (DWG)</a> <a href="#">AutoCad (DXF)</a> <a href="#">ArchiCad (GSM)</a> <a href="#">3D Studio Max (MAX)</a> <a href="#">Wavefront 3D (OBJ)</a> <a href="#">Revit Files (RFA)</a> <a href="#">SketchUp (SKP)</a> <a href="#">QR SHEET</a> <a href="#">Wolf Design Guide</a> <a href="#">Model Detail</a>	46 <sup>3</sup> / <sub>8</sub> " <b>W</b> 12 <sup>1</sup> / <sub>8</sub> " <b>H</b> 19 <sup>3</sup> / <sub>8</sub> " <b>D</b>	30" to 36"	Vertical	10" Round	60 lbs

1200 CFM Internal Blower (814423)

Planning Notes

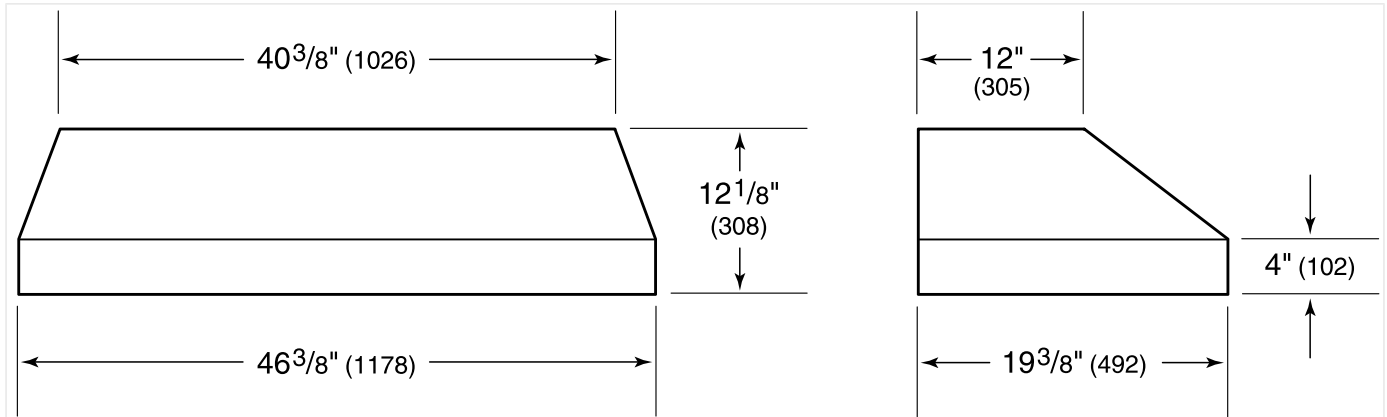
Single Model: PL461912

Ventilation

Consult a qualified HVAC professional for specific installation and ducting applications.

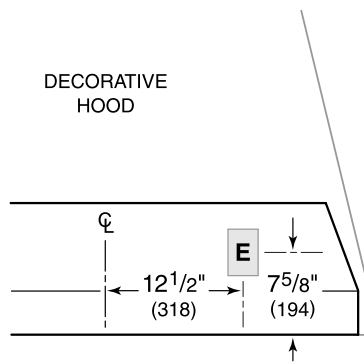
Overall Dimensions

Single Model: PL461912



Electrical

Single Model: PL461912



Electrical Supply	grounded, 110/120 VAC, 60 Hz
Electrical Service	15 amp dedicated circuit

**WARNING**

Installation must comply with all applicable electrical codes.

Blower

Single Model: PL461912

Part Name	1200 CFM Internal Blower
SKU	814423

Wolf ventilation hoods and downdrafts do not include a blower assembly, an internal, in-line or remote blower assembly must be selected to accommodate the cooking appliance, CFM requirements and homeowner preferences.

## DEU2450R: Opening and Panel Specs, Custom Panels, Lock

### Specifications:

[Specifications Summary](#)

[Front View](#)

[Side View](#)

[Top View](#)

[Top View Detail](#)

[Panel Specifications](#)

[Panel Planning Notes](#)

[Additional Requirements](#)



DEU2450R  
24" Designer Undercounter Refrigerator - Panel Ready



7042232  
Designer Series Undercounter Custom Panel Lock Kit

Notes : Additional accessories are available for this installation. Please ask your local retailer for more information.

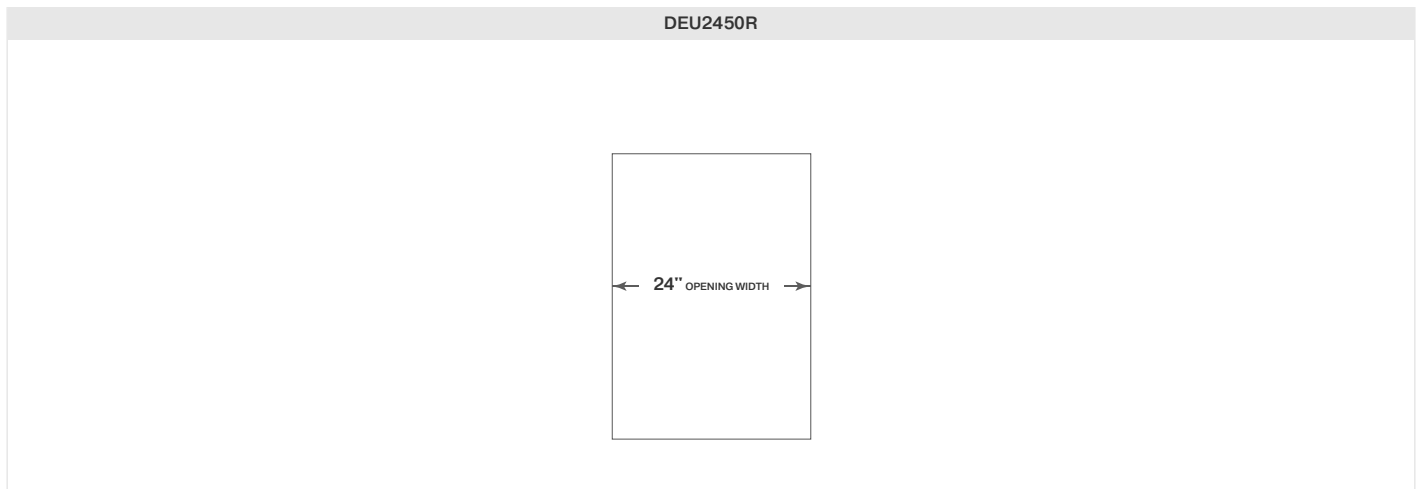
Specifications Summary

Single Model: DEU2450R

MODEL	OVERALL DIMENSIONS	WEIGHT	OPENING DIMENSIONS
DEU2450R <a href="#">3D Studio Max (3DS)</a> <a href="#">2D AutoCad (DWG)</a> <a href="#">3D AutoCad (DWG)</a> <a href="#">AutoCad (DXF)</a> <a href="#">ArchiCad (GSM)</a> <a href="#">3D Studio Max (MAX)</a> <a href="#">Wavefront 3D (OBJ)</a> <a href="#">Revit Files (RFA)</a> <a href="#">SketchUp (SKP)</a> <a href="#">QR SHEET</a> <a href="#">Subzero Design Guide</a> <a href="#">Model Detail</a>	24" <small>W</small> 34 1/2" <small>H</small> 23 1/8" <small>D</small>	133 lbs	24" <small>W</small> 34 1/2" <small>H</small> 24" <small>D</small>

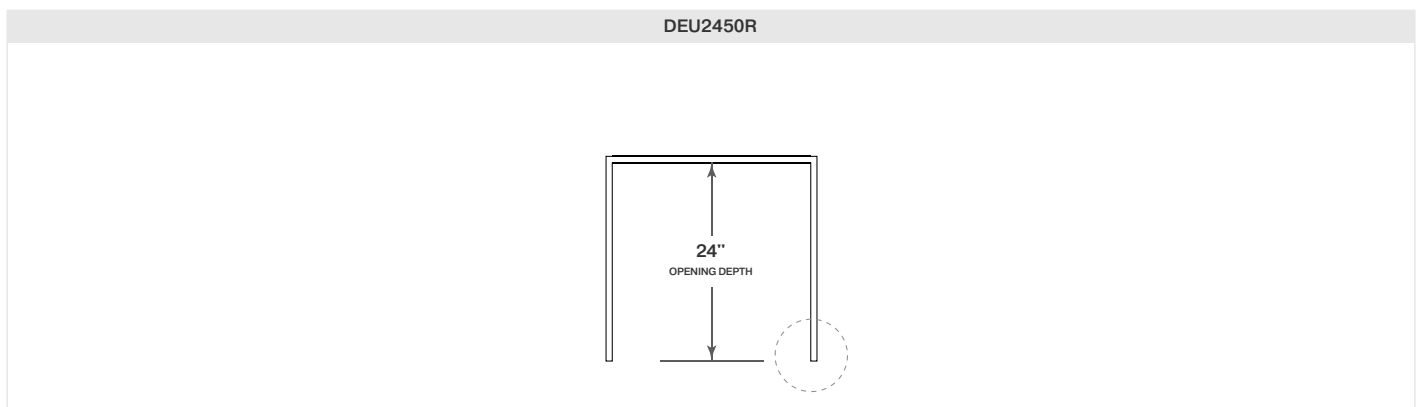
Front View

Single Model: DEU2450R



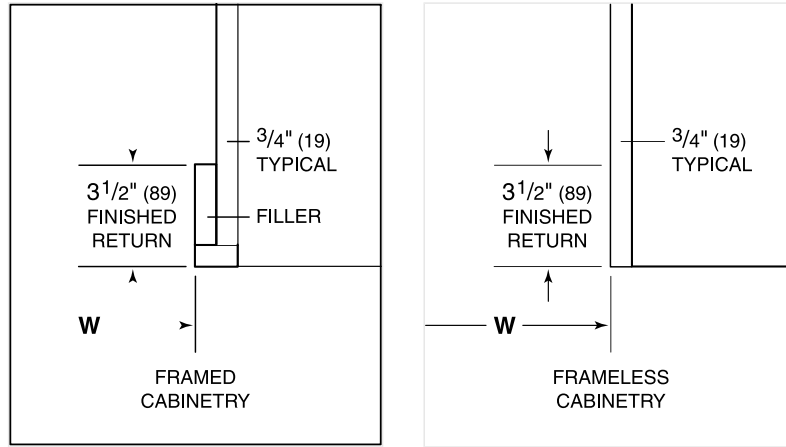
Top View

Single Model: DEU2450R



Top View Detail

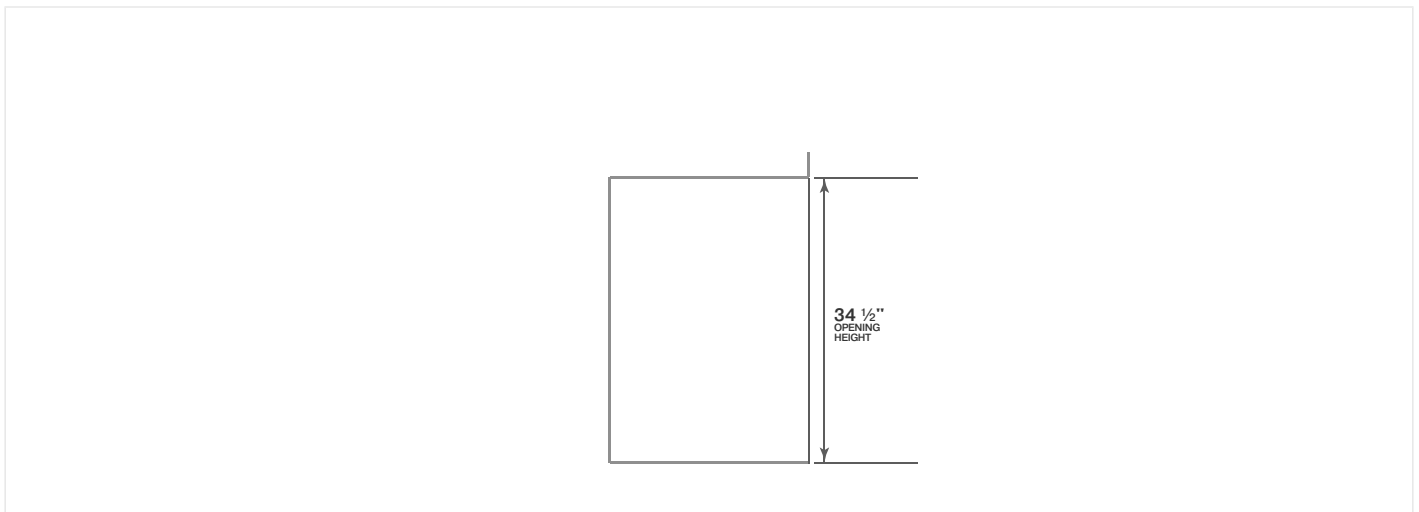
Single Model: DEU2450R



The depth of each designer model is 23 1/8" (587). Allow for panel thickness when planning the finished opening depth. A minimum 3 1/2" (89) finished return is required on all sides of the opening. Framed cabinets will require additional finished filler material behind the face frame for a proper installation.

Side View

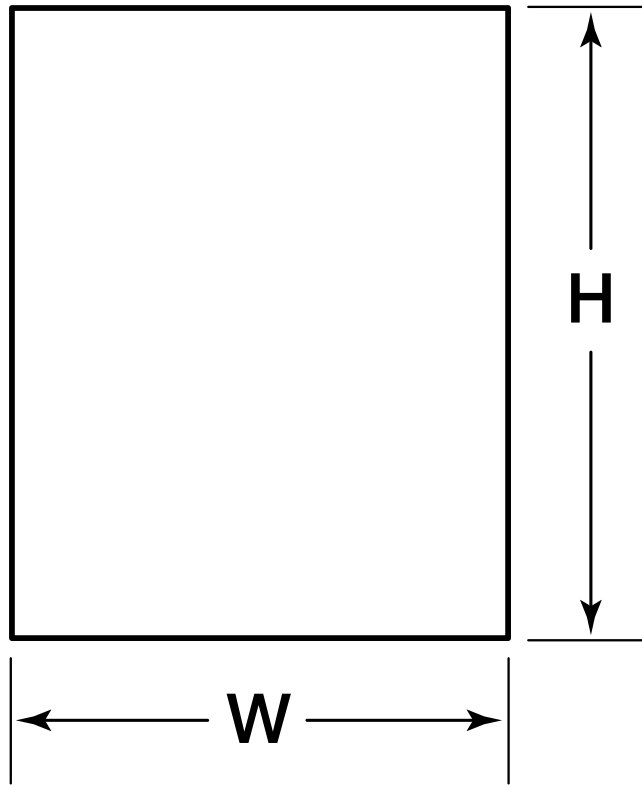
Single Model: DEU2450R





Panel Specifications

Single Model: DEU2450R



PANEL	WIDTH	HEIGHT	MIN THICKNESS	MAX WEIGHT
Door	23 <sup>3</sup> / <sub>4</sub> "	30 <sup>3</sup> / <sub>8</sub> "	<sup>5</sup> / <sub>8</sub> "	22 lbs

**Panel Planning Notes**

Single Model: DEU2450R

The thickness of the custom panel can vary. A 5/8" (16) minimum to 3/4" (19) maximum thick panel is required.

The depth of each designer model is 23 1/8" (587). Allow for panel thickness when planning the finished opening depth.

Finish all sides of custom panels. They will be visible when the door is open.

Stainless steel tubular and pro handles are available through an authorized Sub-Zero dealer.

**Minimum Panel Thickness**

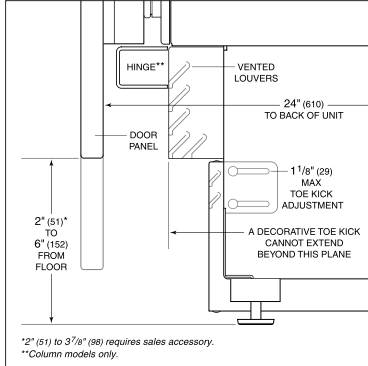
5/8"

**Standard Handle Lengths (Optional)**

HANDLE	TUBULAR	PRO
DEU2450R Door	24 3/16"	22 1/2"

**Toe Kick Clearance**

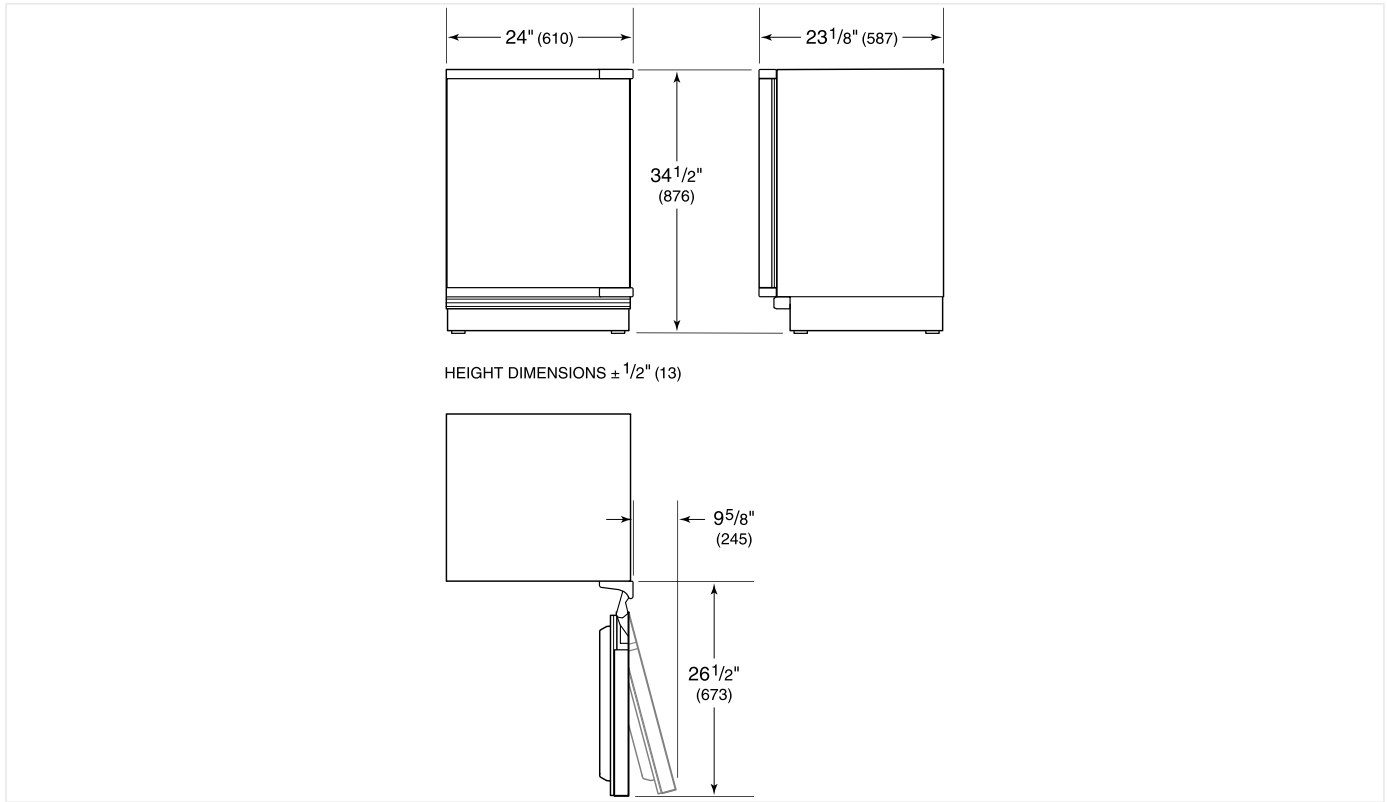
The height of the toe kick area can extend beyond the typical toe kick height, provided it does not exceed the dimensions in the illustration below.



Toe kick (side view).

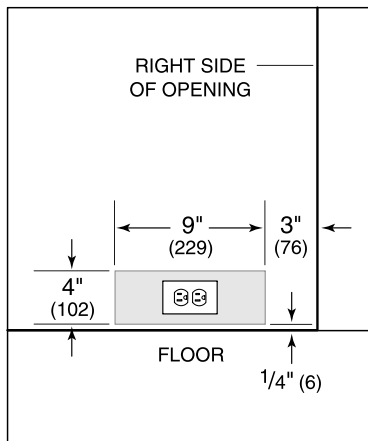
Overall Dimensions

Single Model: DEU2450R



Electrical

Single Model: DEU2450R



Electrical Supply	grounded, 115 VAC, 60 Hz
Electrical Service	15 amp dedicated circuit
Receptacle	3-prong grounding-type

**WARNING**  
 Installation must comply with all applicable electrical codes.

A separate circuit, servicing only this appliance is required. A ground fault circuit interrupter (GFCI) is not recommended and may cause interruption of operation. Installation must comply with all applicable electrical codes.