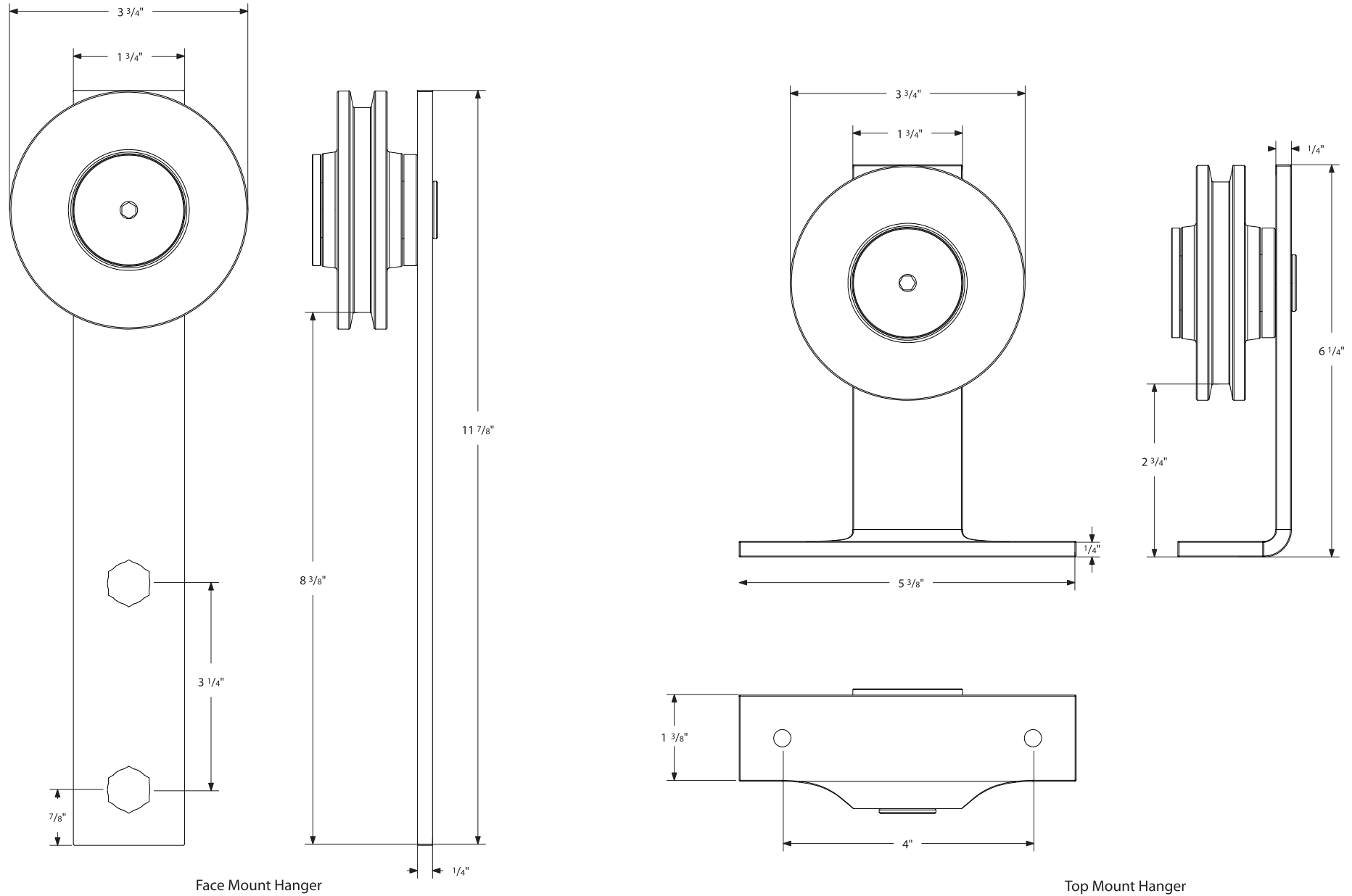


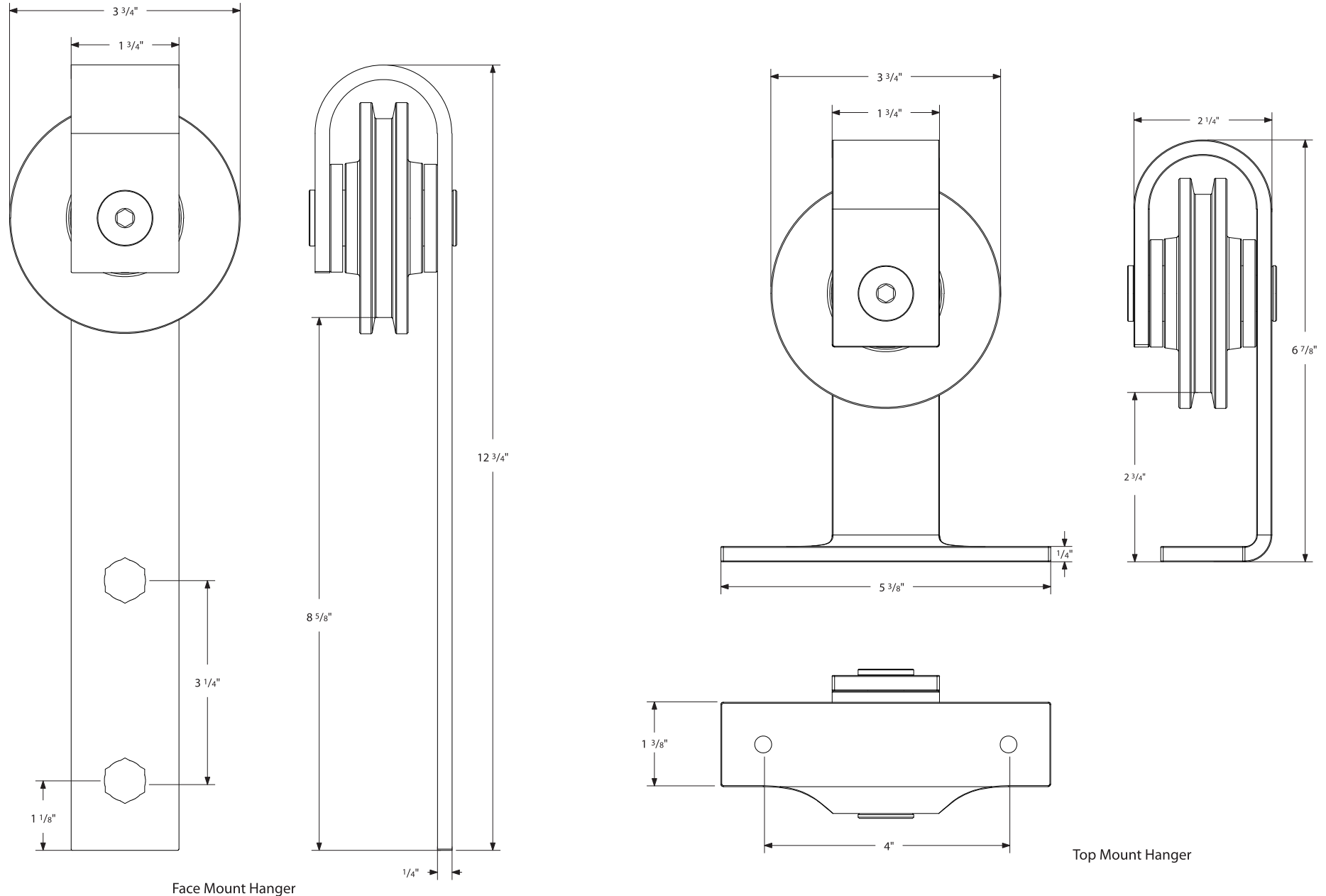
BARN DOOR HARDWARE - MODERN RECTANGULAR TOP/FACE MOUNT HANGER



The wall or structure that your system will be mounted on must be designed to support a maximum door weight of 400 lbs.

Note: For general info only. Do NOT use as a drilling template.

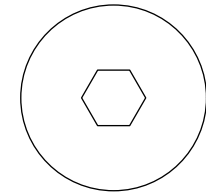
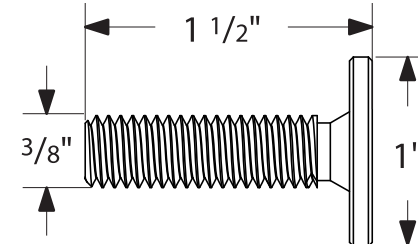
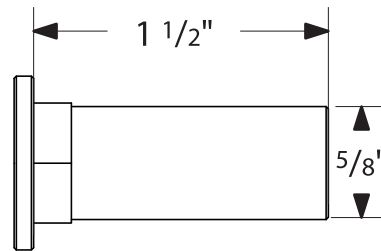
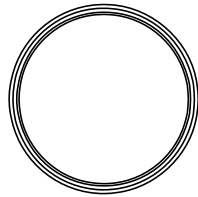
BARN DOOR HARDWARE - CLASSIC TOP/FACE MOUNT HANGER



The wall or structure that your system will be mounted on must be designed to support a maximum door weight of 400 lbs.

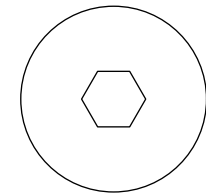
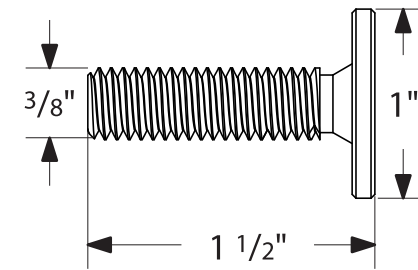
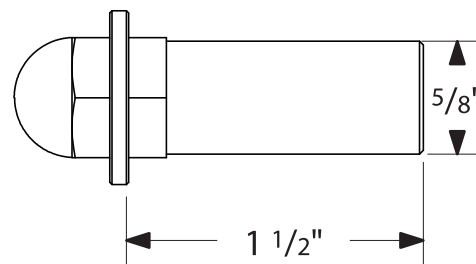
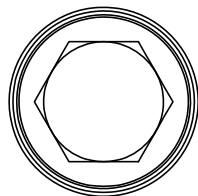
Note: For general info only. Do NOT use as a drilling template.

FLAT



7/32 Hex

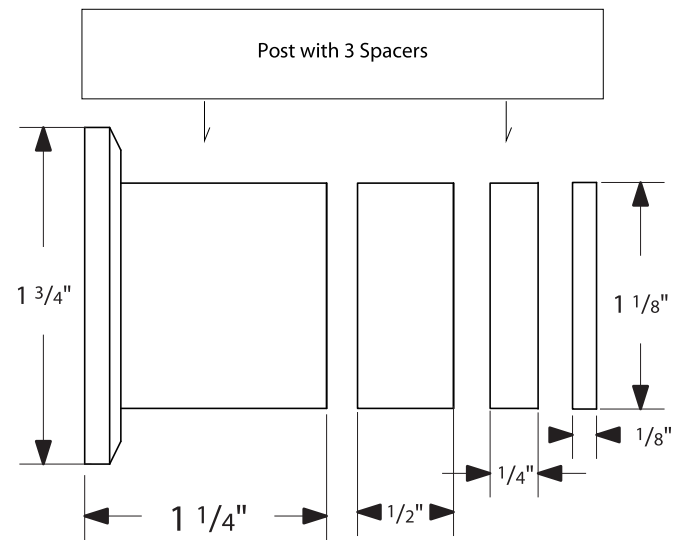
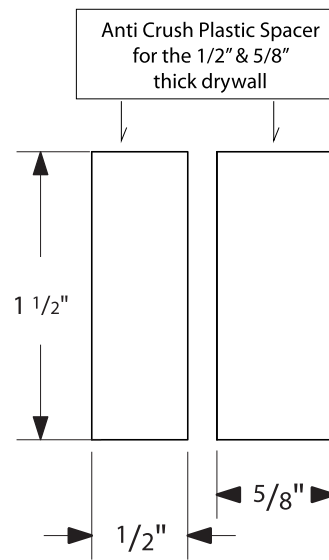
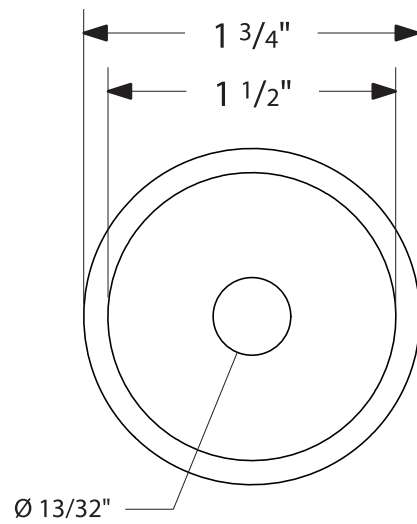
CLASSIC



7/32 Hex

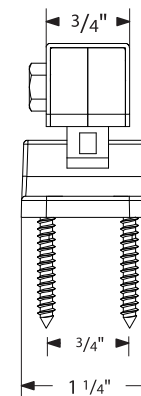
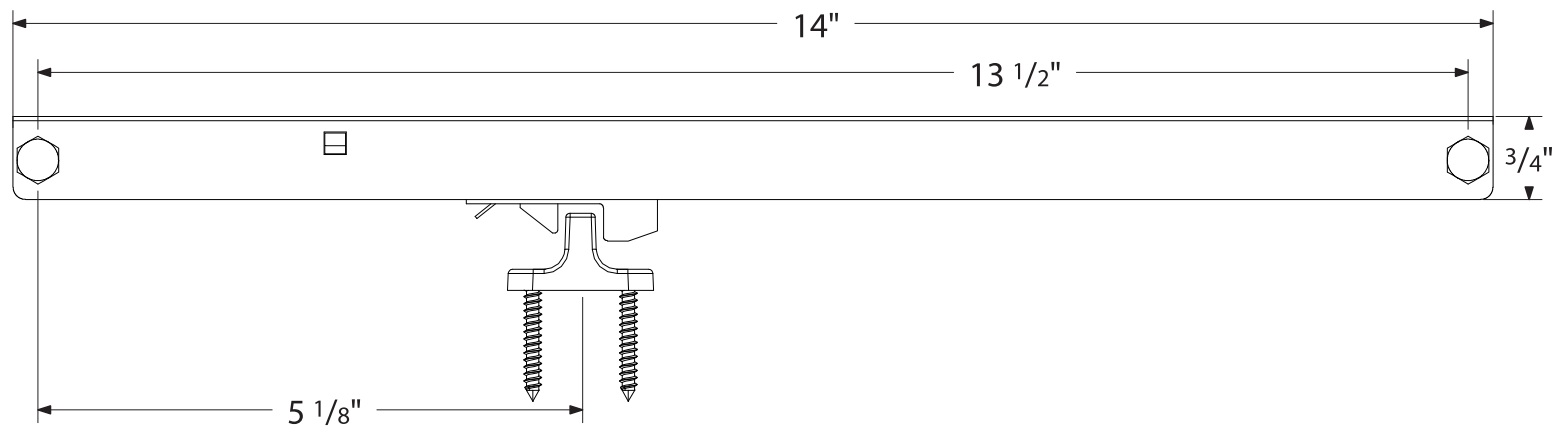
The wall or structure that your system will be mounted on must be designed to support a maximum door weight of 400 lbs.

Note: For general info only. Do NOT use as a drilling template.



Without a counterbore, the door thickness is 1-3/8" to 2-1/4"

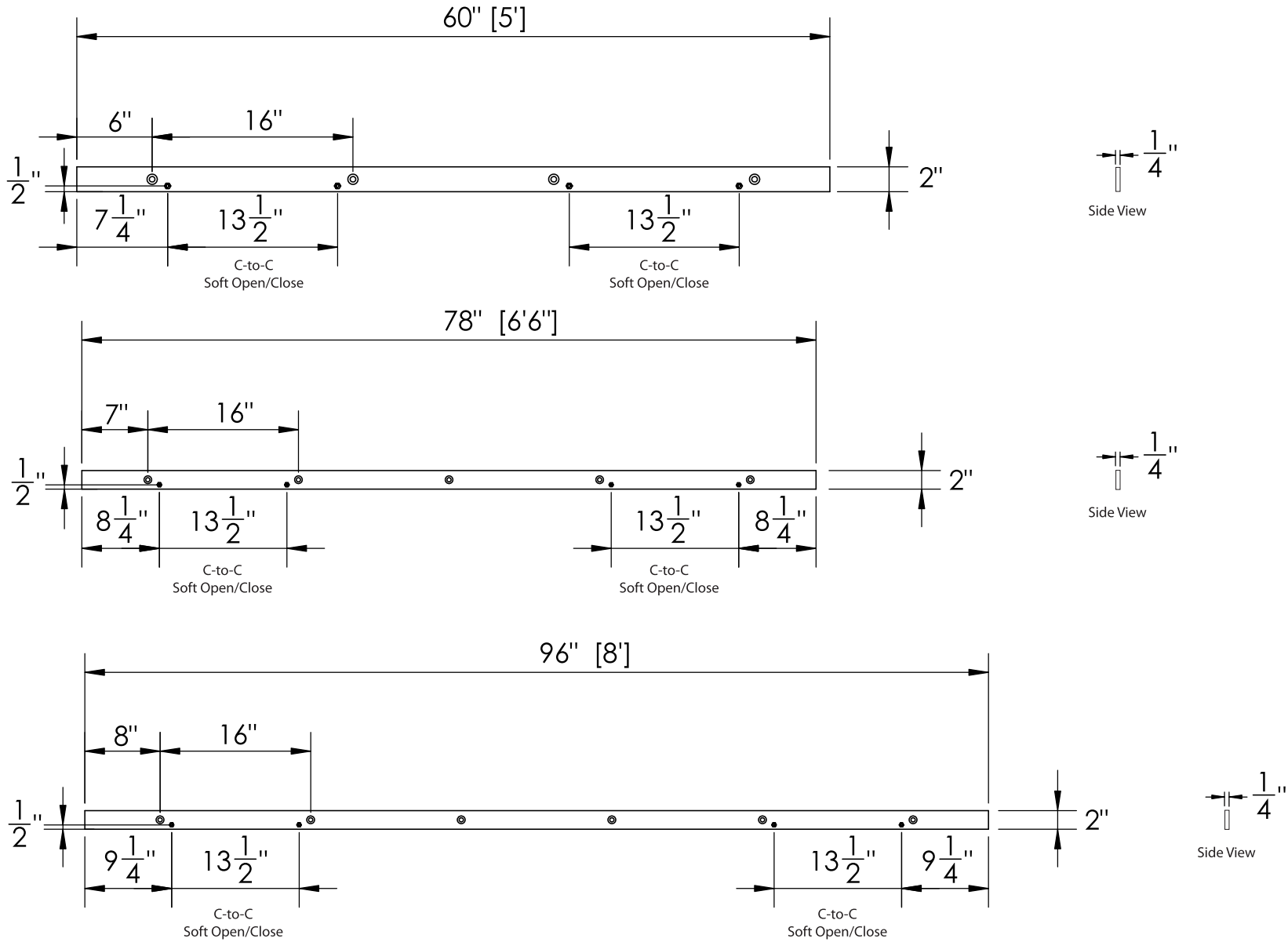
BARN DOOR HARDWARE - SOFT OPEN/CLOSE KIT



The wall or structure that your system will be mounted on must be designed to support a maximum door weight of 400 lbs.

Note: For general info only. Do NOT use as a drilling template.

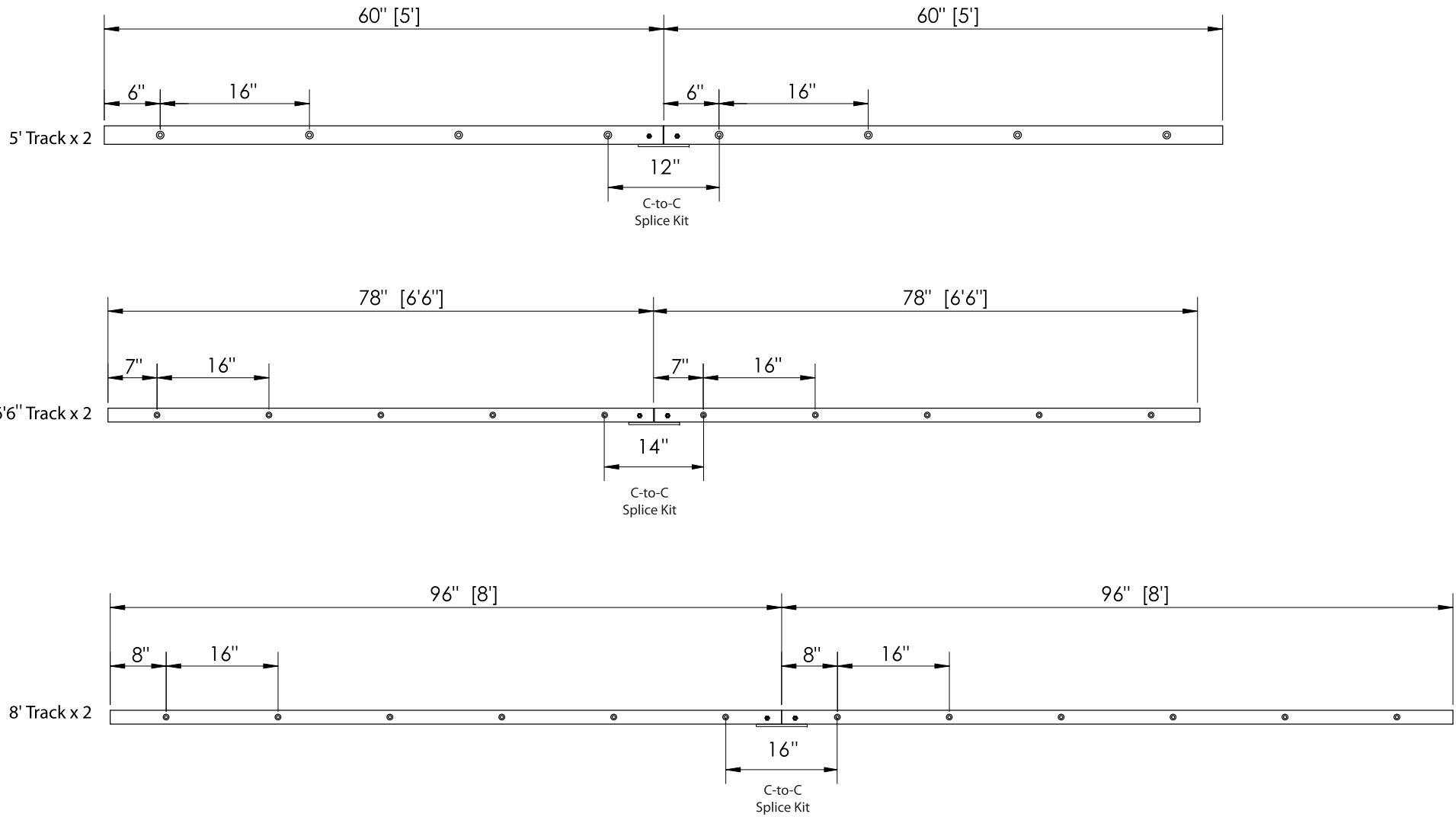
BARN DOOR HARDWARE - FLAT TRACK LENGTH WITH SOFT OPEN/CLOSE MEASUREMENTS



The wall or structure that your system will be mounted on must be designed to support a maximum door weight of 400 lbs.

Note: For general info only. Do NOT use as a drilling template.

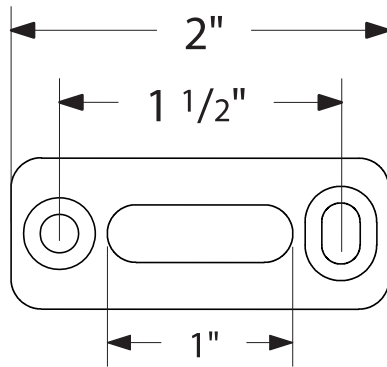
BARN DOOR HARDWARE - FLAT TRACK LENGTH WITH SPLICE KIT MEASUREMENTS



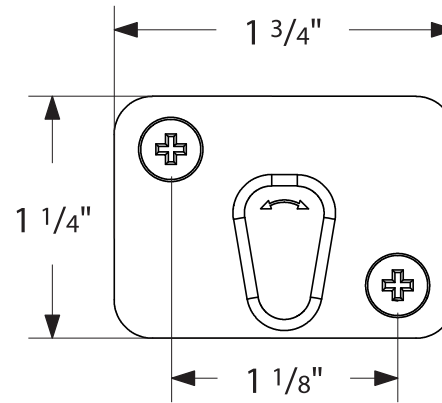
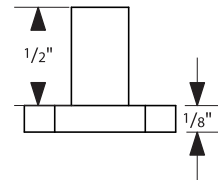
The wall or structure that your system will be mounted on must be designed to support a maximum door weight of 400 lbs.

Note: For general info only. Do NOT use as a drilling template.

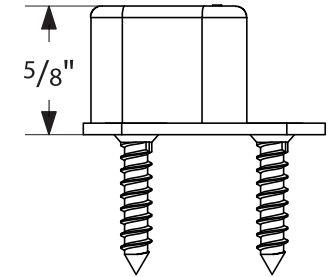
BARN DOOR HARDWARE - FLOOR GUIDE, ANTI-JUMP, TRACK SCREW



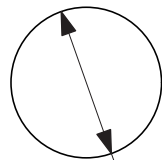
Floor Guide



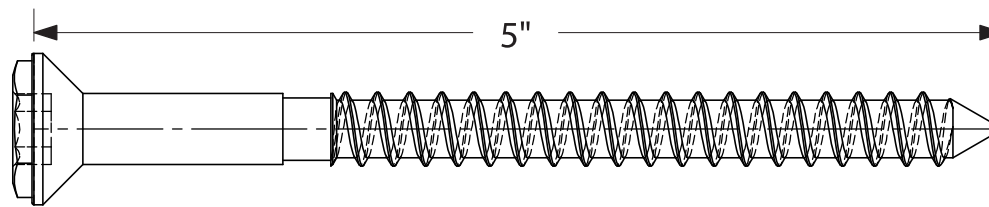
Anti-Jump



HEX 5/16 X .200 DEEP



Ø 3/4"



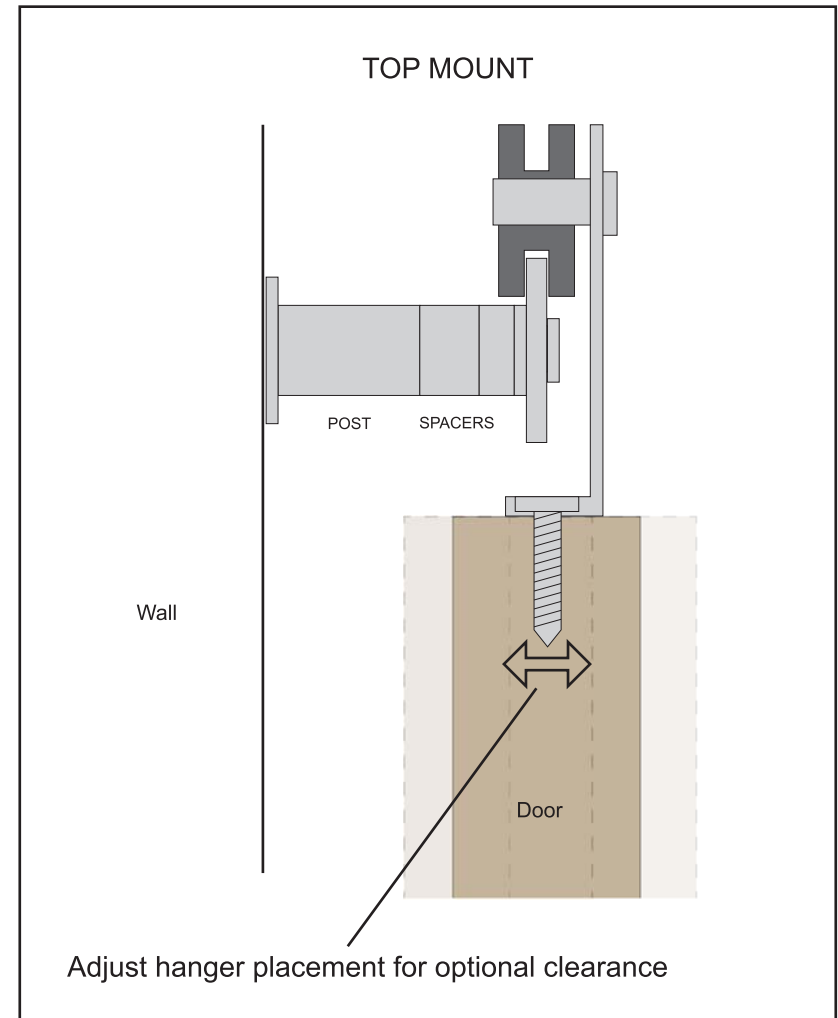
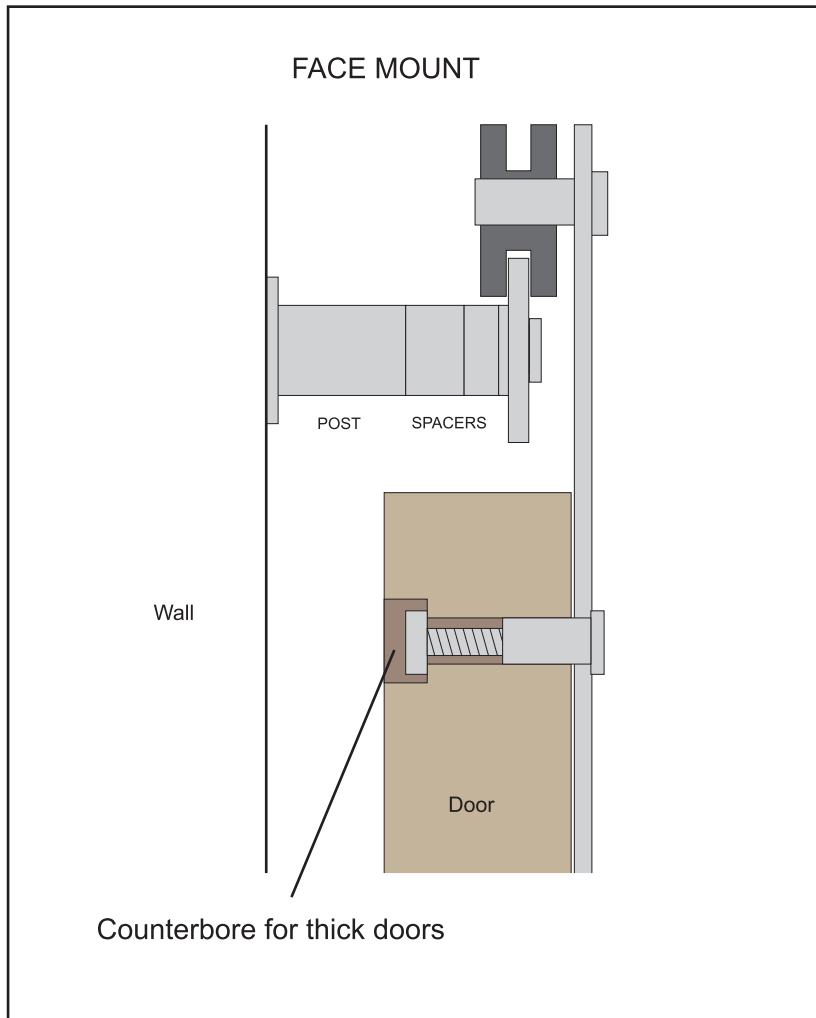
Track Screw

The wall or structure that your system will be mounted on must be designed to support a maximum door weight of 400 lbs.

Note: For general info only. Do NOT use as a drilling template.

DOOR THICKNESS 1-3/8" to 2-1/4"*

**Up to 2-3/4" thickness can be achieved with use of a counter-bore for face mount hangers and adjusting hanger placement for top mount*



The wall or structure that your system will be mounted on must be designed to support a maximum door weight of 400 lbs.