

# GAS COOKTOP INSTALLATION INSTRUCTIONS



**INSTALLATION AND SERVICE MUST BE PERFORMED BY A QUALIFIED INSTALLER.**

**IMPORTANT: SAVE FOR LOCAL ELECTRICAL INSPECTOR'S USE. READ AND SAVE THESE INSTRUCTIONS FOR FUTURE REFERENCE.**

**! WARNING** If the information in this manual is not followed exactly, a fire or explosion may result causing property damage, personal injury or death.

**FOR YOUR SAFETY:**

- Do not store or use gasoline or other flammable vapors and liquids in the vicinity of this or any other appliance.
- **WHAT TO DO IF YOU SMELL GAS:**
  - Do not try to light any appliance.
  - Do not touch any electrical switch; do not use any phone in your building.
  - Immediately call your gas supplier from a neighbor's phone. Follow the gas supplier's instructions.
  - If you cannot reach your gas supplier, call the fire department.
- Installation and service must be performed by a qualified installer, service agency or the gas supplier.

**Appliances Installed in the state of Massachusetts:**

This Appliance can only be installed in the state of Massachusetts by a Massachusetts licensed plumber or gas fitter. This appliance must be installed with a three (3) foot / 36 in. long flexible gas connector. A "T" handle type manual gas valve must be installed in the gas supply line to this appliance.

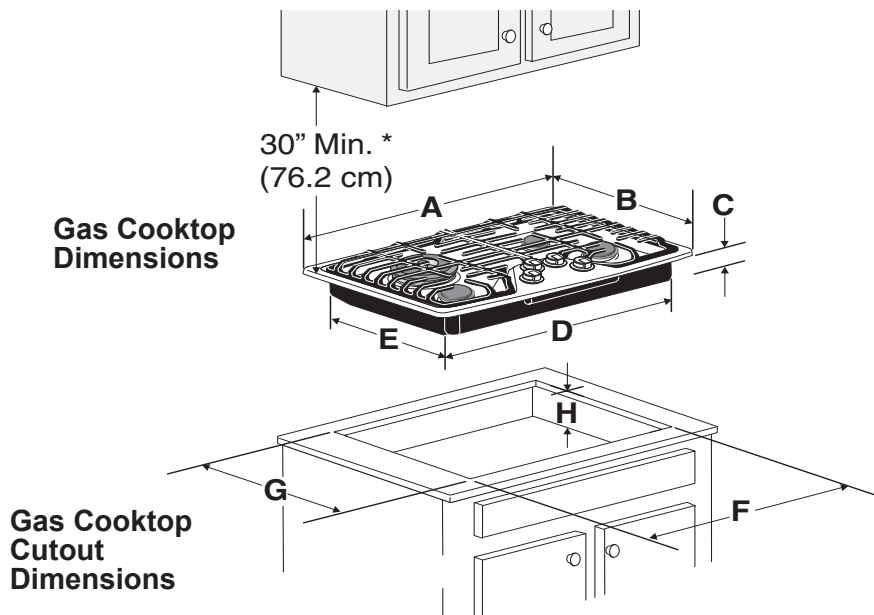


Figure 1

PRODUCT DIMENSIONS					
MODEL	A. WIDTH	B. DEPTH	C. HEIGHT	D. BOX WIDTH	E. BOX DEPTH
30" Gas Cooktop	30 (76.2)	21 ¾ (55.2)	4 ¼ (10.8)	27 (68.6)	19 (48.3)
CUTOUT DIMENSIONS					
MODEL	F. WIDTH		G. DEPTH		H. HEIGHT BELOW COOKTOP
	MINIMUM	MAXIMUM	MINIMUM	MAXIMUM	
30" Gas Cooktop	27 ¼ (69.2)	28 ½ (72.4)	19 ⅛ (48.6)	19 ¾ (50.2)	8 (20.3)

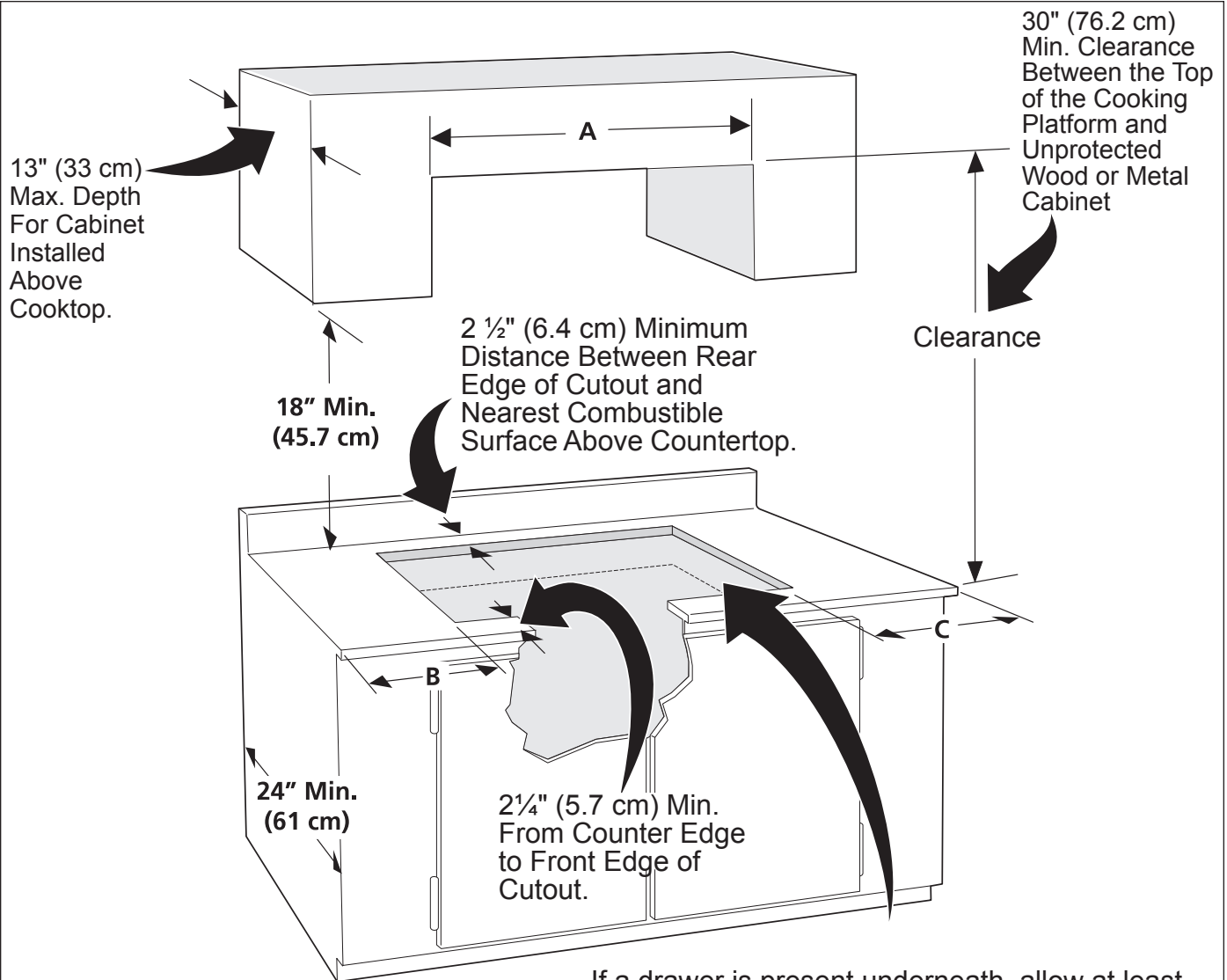
All dimensions are stated in inches and (cm).

Dimension H includes a 5" (12.7 cm) space underneath the cooktop for connection to gas supply line.

**NOTE: Wiring diagrams for this cooktop are enclosed in this booklet**  
Printed in Canada

**318205454 (1302) Rev. B**  
English - pages 1-9  
Wiring Diagram 10

# GAS COOKTOP INSTALLATION INSTRUCTIONS



**CAUTION** To eliminate the risk of burns or fire from reaching over heated surfaces, cabinet storage space located above the cooktop should be avoided. If cabinet storage is provided, risk can be reduced by installing a range hood that projects horizontally a minimum of 5" (12.7 cm) beyond the bottom of the cabinets.

If a drawer is present underneath, allow at least 6½" (16.5 cm) of clearance below the counter top. Make sure there will be no interference with gas or electrical connection.

**CAUTION** Never store flammable products in the drawer.

MODEL	A	B. Minimum Clearance from Left Side	C. Minimum Clearance from Right Side
30" Cooktop	30" (76.2 cm)	9" (22.9 cm)	9" (22.9 cm)

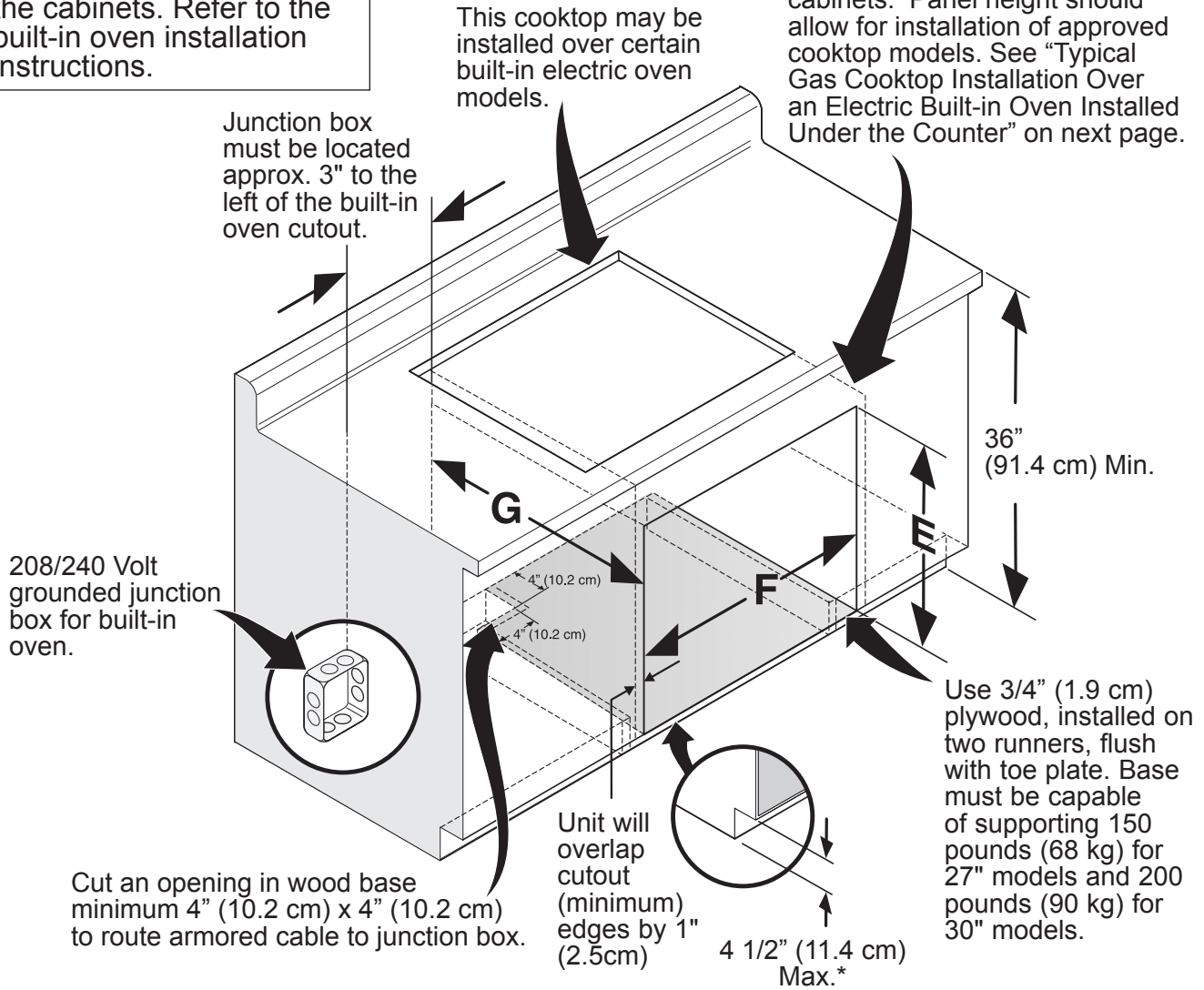
Figure 2 – CABINET DESIGN

# GAS COOKTOP INSTALLATION INSTRUCTIONS

## Typical Under Counter Installation of an Electric Built-in Oven with a Cooktop Mounted Above

**⚠ WARNING** All mounting hardware must be used to secure the built-in oven to the cabinets. Refer to the built-in oven installation instructions.

Side filler panels are necessary to isolate the unit from adjoining cabinets. Panel height should allow for installation of approved cooktop models. See "Typical Gas Cooktop Installation Over an Electric Built-in Oven Installed Under the Counter" on next page.



\* If no cooktop is installed directly over the oven unit, 5" (12.7cm) maximum is allowed.

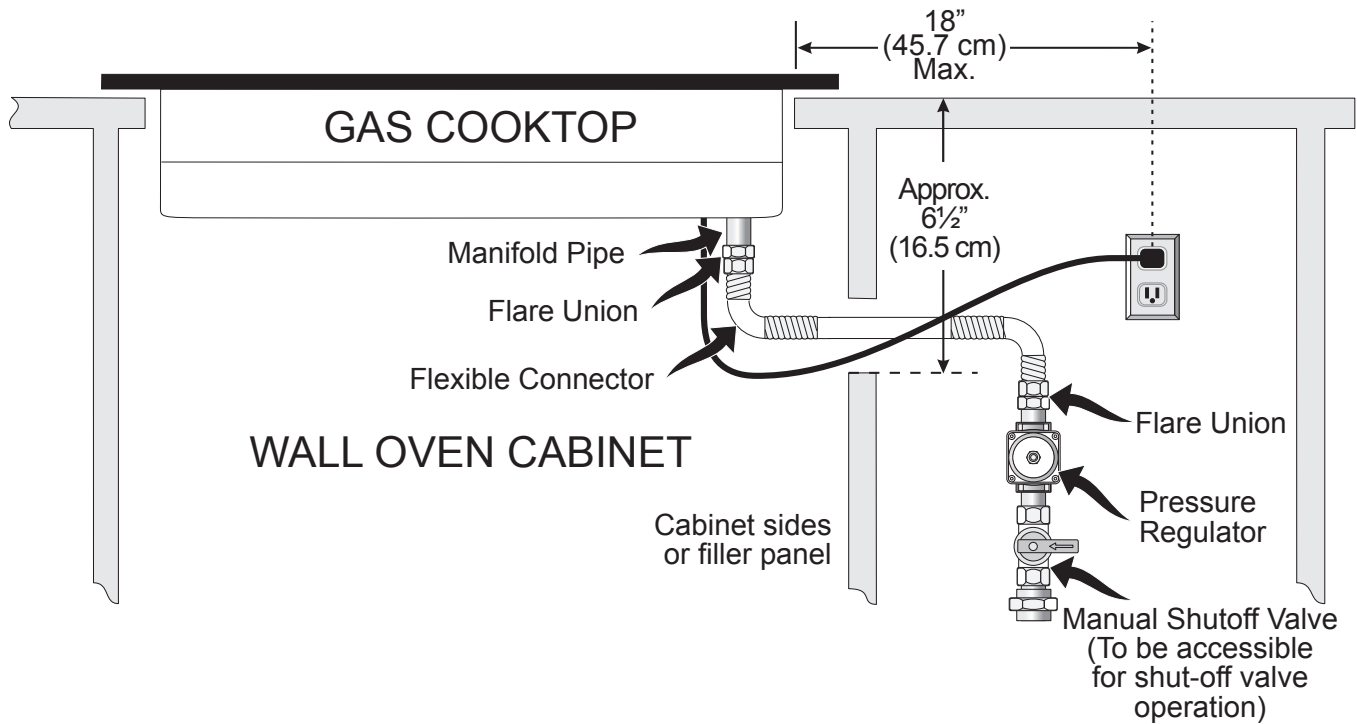
OVEN SIZE	CUTOUT DIMENSIONS (INCHES (CM))				G. DEPTH Min.
	E. HEIGHT		F. WIDTH		
	Min.	Max.	Min.	Max.	
30" (76.2)	27 1/4" (69,2 cm)	28 1/4" (71.8)	28 1/2" (72.4)	29" (73.7)	23 1/2" (59.7)
27" (68.6)	27 1/4" (69,2 cm)	28 1/4" (71.8)	24 7/8" (63.2)	25 1/4" (64.1)	23 1/2" (59.7)

**Figure 3**

# GAS COOKTOP INSTALLATION INSTRUCTIONS

## Typical Gas Cooktop Installation Over an Electric Built-in Oven Installed Under the Counter

### FRONT VIEW



### SIDE VIEW

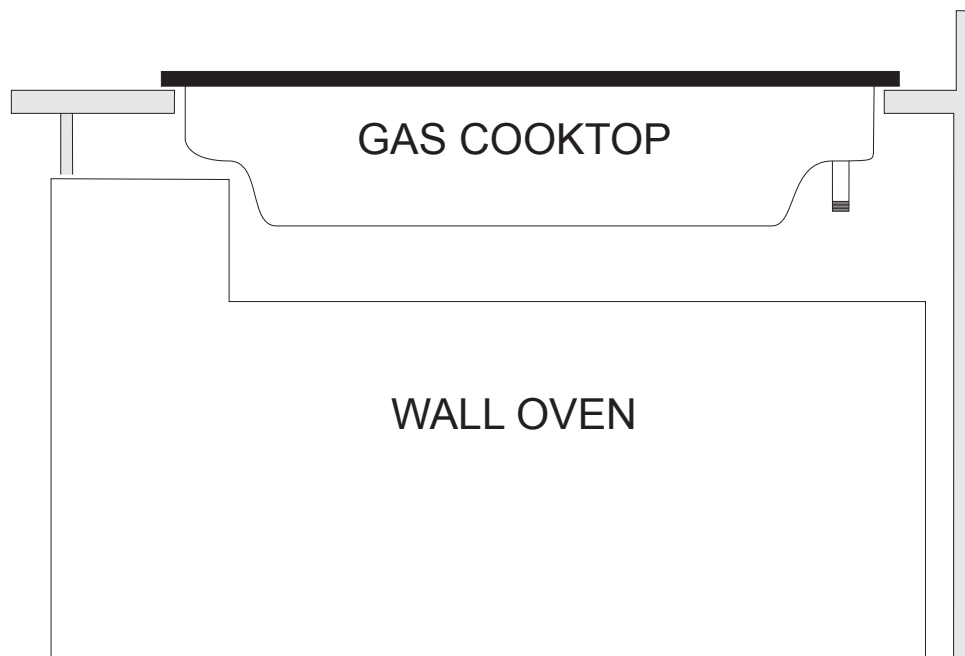
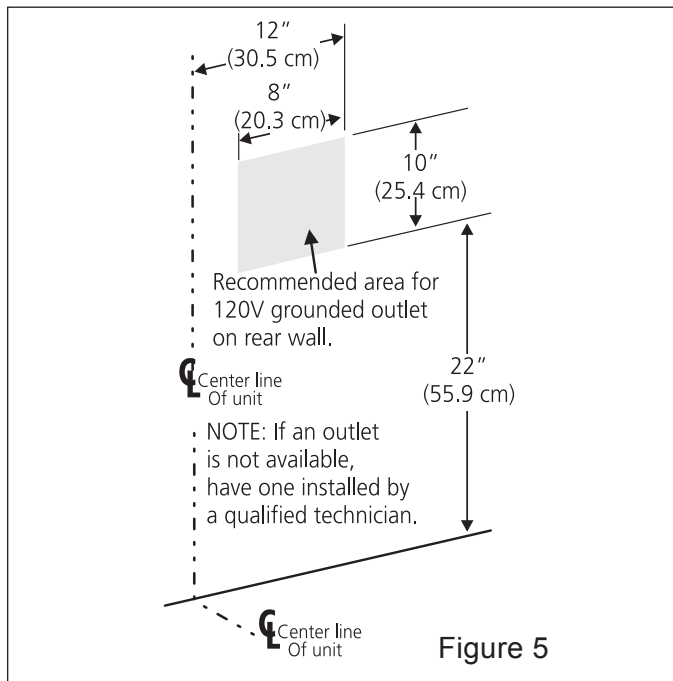


Figure 4

# GAS COOKTOP INSTALLATION INSTRUCTIONS

## 1. Wall Outlet Location



## 2. Cooktop Installation

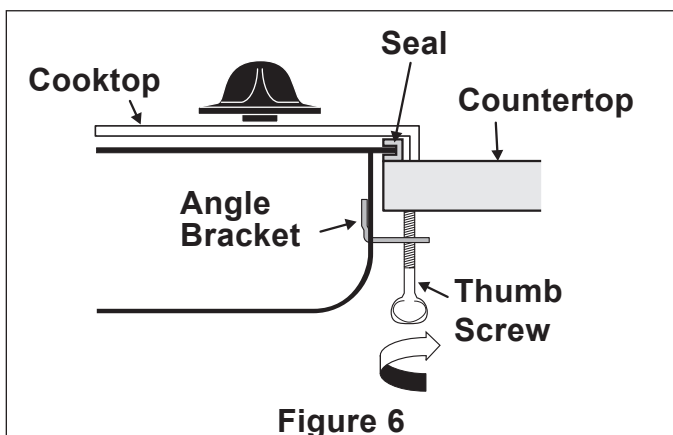
1. Visually inspect the cooktop for damage.
  2. Set the cooktop into the countertop cutout.
- After inserting the cooktop into the countertop opening, make sure the unit is sitting on the metal flange around the top of the burner box. Cooktop must not sit on the glass or the porcelain top. Avoid cutting an oversized hole in the countertop.**

**NOTE:** Do not use caulking compound; cooktop should be removable for service when needed.

### Granite countertop Installation Kit

A Granite Countertop Installation kit # 903103-9010 can be ordered through an Electrolux Service Center.

## Clamp Down Information



Once the cooktop is installed in the counter opening, you must clamp the unit down as shown. To clamp down, insert an angle bracket into the slot on each side of the unit as shown. Run thumb screw up through the bracket, up against the bottom of the counter. Tighten until the unit draws down and is secure.

## 3. Provide an Adequate Gas Supply

This cooktop is designed to operate on natural gas at 4" of manifold pressure only.

A pressure regulator is connected in series with the manifold on the cooktop and must remain in series with the supply line.

**For proper operation,** the maximum inlet pressure to the regulator must be no more than 14" of water column (W.C.) pressure.

For checking the regulator, the inlet pressure must be at least 1" (or 2.5 kPa) greater than the regulator manifold pressure setting. The regulator is set for 4" of manifold pressure, the inlet pressure must be at least 5".

The gas supply line to the range should be 1/2" or 3/4" pipe.

## 4. LP/Propane Gas Conversion

This appliance can be used with Natural gas or LP/Propane gas. It is shipped from the factory for use with natural gas.

A kit for converting to LP gas is supplied with your cooktop. The kit is marked "FOR LP/PROPANE GAS CONVERSION".

The conversion must be performed by a qualified service technician in accordance with the kit instructions and all local codes and requirements. Failure to follow instructions could result in serious injury or property damage. The qualified agency performing this work assumes responsibility for the conversion.

**WARNING** Failure to make the appropriate conversion can result in serious personal injury and property damage.

**Important:** Remove all packing material and literature from cooktop before connecting gas and electrical supply to cooktop.