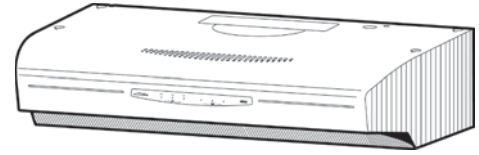


# ALLURE™ RANGE HOOD MODELS QS1, QS2, & QS3



Meeting customer demands for a contemporary styled range hood that is 50% quieter than average hoods, is easy to clean, and brightly lights the cooktop.

### FEATURES

- Clean, sleek appearance
- Durable, baked-on polyester finish paint or brushed finish stainless steel
- Over 50% quieter than the average range hood
- Exclusive DuPont Teflon®, non-stick bottom cover for easy cleaning (QS2 & QS3)
- Large, full filter design - dishwasher-safe for easy cleaning
- Dual halogen lights provide focused lighting for unmatched cooktop visibility as well as a soft, night-time level (lamps not included)
- Axial blade (QS1) or centrifugal blower (QS2 & QS3) provides increased performance and quieter operation.
- Flush-mounted controls
- Versatile design allows for 3¼" x 10", 7" round, or non-ducted discharges without re-positioning blower
- Adjustable duct connectors - accommodate off-center ductwork
- CleanSense™ charcoal filters change color when replacement is necessary (for non-ducted installations - purchase separately)
- Available in 30", 36", or 42" widths in White, Biscuit, Almond, Black, and Stainless Steel
- Bi-lingual carton graphics and installation manual (English/Spanish) (English/French Canadian in Canada)
- Broan Heat Sentry™ - automatically turns blower to high (QS2), on or higher (QS3) when excess cooking heat is detected

### TYPICAL SPECIFICATION

Range hood shall be Broan QS1 (QS2) (QS3) Series.

Unit will have clean, contoured appearance with no sharp edges. Finish to be baked-on polyester paint (matte finish stainless steel). It must have a fully-enclosed bottom and dishwasher-safe, full filters.

Hood to be convertible between 3¼" x 10" and 7" round ducted (using two washable aluminum filters) as well as non-ducted (using two CleanSense™ filters - must be purchased separately). Duct connectors must be adjustable to accommodate off-center ductwork.

Range hood to have an axial blade (centrifugal blower) and twin, 50-watt (max.) halogen flood lights. Blower and lights shall be operated using a specially-designed, adjustable control with 2-speed rocker (3-speed electronic push button) (4-speed electronic, with delayed "off" and filter reminder).

Air delivery shall be no less than 220 cfm (QS1), 300 cfm (QS2), 430 cfm (QS3) when ducted horizontally. Sound level to be no greater than 1.5 Sones/100 cfm - 5.0 Sones/220 cfm (QS1); 0.9 Sones/100 cfm - 4.5 Sones/300 cfm (QS2); 0.4 Sones/100 cfm - 4.5 Sones/300 cfm - 8.0 Sones/430 cfm in "Boost" mode (QS3). Air and sound ratings to be certified by HVI. Unit shall be U.L. and cU.L. listed.

### SPECIFICATIONS

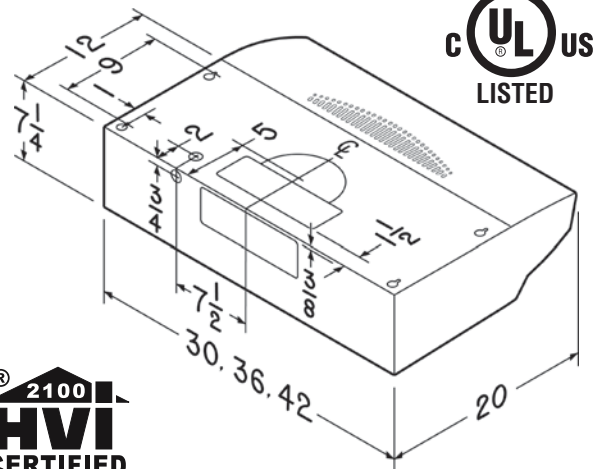
### MODEL

	QS1	QS2	QS3
<b>Volts</b>	120	120	120
<b>Hz</b>	60	60	60
<b>Amps</b>	1.8	2.0	3.0
<b>Max. cfm (horizontal)</b>	220	300	300*
<b>Sones (norm.)</b>	1.5	0.9	0.4*
<b>Sones (high)</b>	5.0	4.5	4.5
<b>Controls</b>	2-sp rocker	3-sp electronic	4-sp electronic
<b>Halogen Flood Light</b>	PAR20†	PAR20†	PAR20†
<b>Charcoal Filter</b>	BPSF†	BPSF†	BPSF†
<b>DuPont Teflon®</b>	No	Yes	Yes
<b>Broan Heat Sentry™</b>	No	Yes	Yes

\* 430 cfm & 8.0 sonos in Boost mode (QS3 only). † 2 bulbs req. (not included).  
‡ Purchase separately for non-ducted installation.

Teflon® is a registered trademark of DuPont.

Broan-NuTone LLC Hartford, Wisconsin www.broan.com 800-558-1711  
Broan-NuTone Canada Mississauga, Ontario www.broan.ca 877-896-1119



HVI-2100 CERTIFIED RATINGS comply with new testing technologies and procedures prescribed by the Home Ventilating Institute, for off-the-shelf products, as they are available to consumers. Product performance is rated at 0.1 in. static pressure, based on tests conducted in a state-of-the-art test laboratory. Sones are a measure of humanly-perceived loudness, based on laboratory measurements.

REFERENCE	QTY.	REMARKS	Project
			Location
			Architect
			Engineer
			Contractor
			Submitted by Date