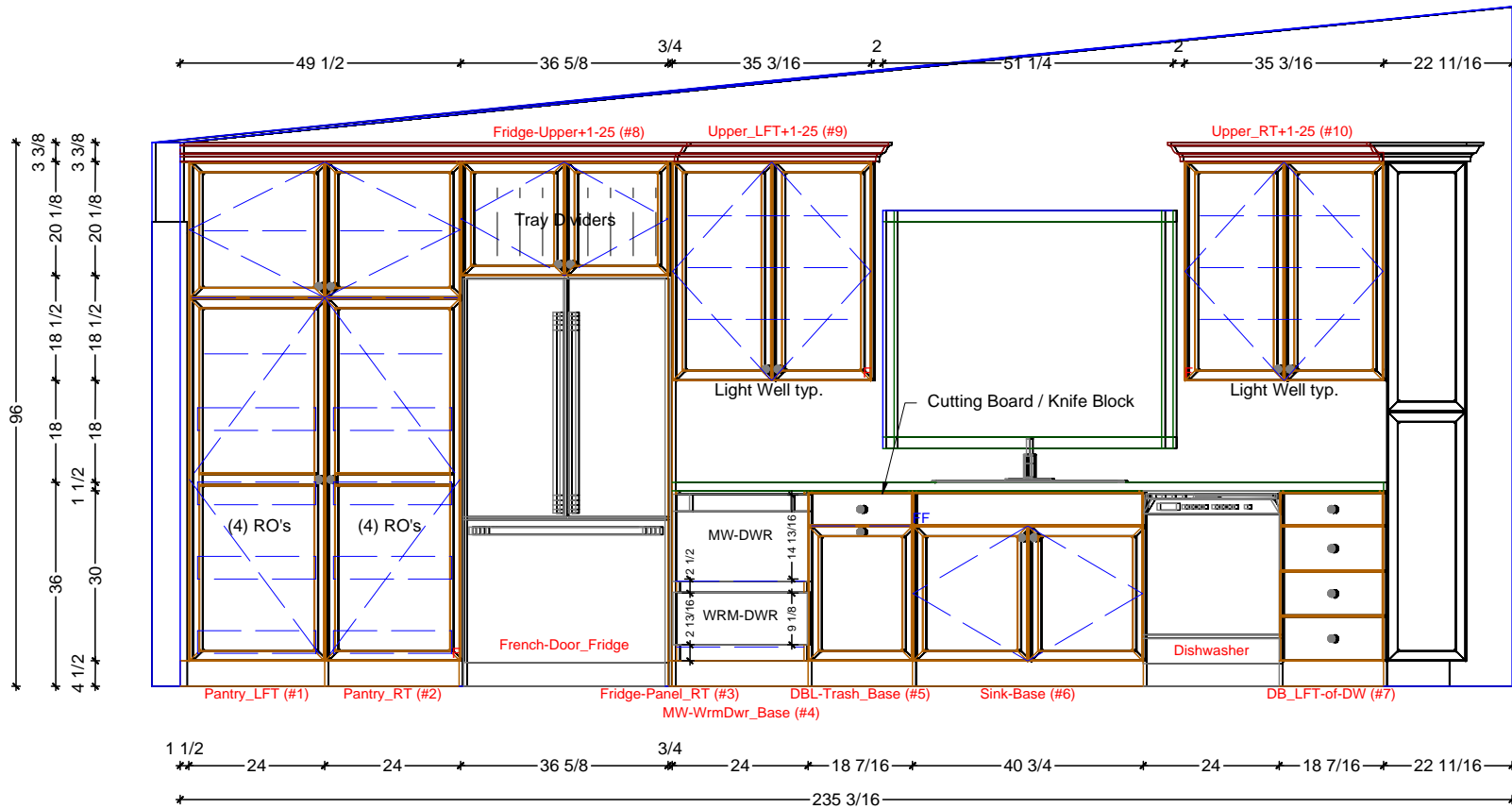

KITCHEN CABINERY FLOOR PLAN
 SCALE: 3/8" = 1' 0"

Classic Bath Designs, Inc.
 11544 Sheldon St., Sun Valley, CA 91352
 818.767.1144 fax: 818.767.1278



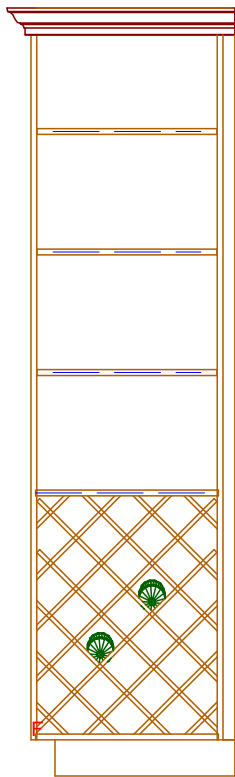
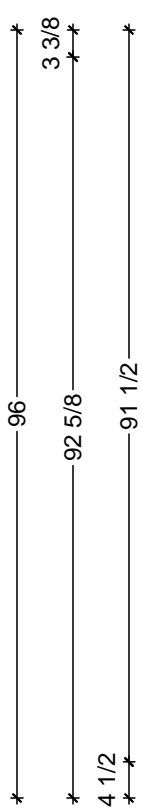
Cust: Weitekamp-Dincara		PO# KITCHEN	Scale: As Noted		K.0
Approved _____	Job: FL-S_PG/PG:perSample_IntEB:PG	Size: A	Dr By: Brian	01/07/15	



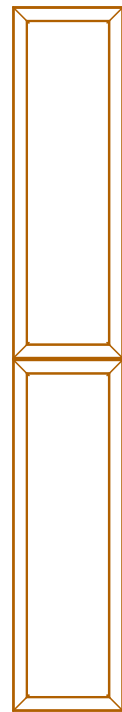
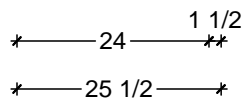
1 KITCHEN ELEVATION - SINK WALL
 SCALE: 3/8" = 1' 0"

Classic Bath Designs, Inc.
 11544 Sheldon St., Sun Valley, CA 91352
 818.767.1144 fax: 818.767.1278

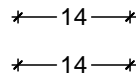
Cust: Weitekamp-Dincara	PO# KITCHEN	Scale: As Noted	K.1
Approved _____	Job: FL-S_PG/PG:perSample_IntEB:PG	Size: A	
		Dr By: Brian	01/07/15



Wine-Tall (#16)



Wine-Tall_PlantOns (#15)



1

KITCHEN ELEVATION - WINE-TALL

SCALE: 1/2" = 1' 0"

Classic Bath Designs, Inc.
 11544 Sheldon St., Sun Valley, CA 91352
 818.767.1144 fax: 818.767.1278



Cust: Weitekamp-Dincara

PO# KITCHEN

Scale: As Noted

Approved _____

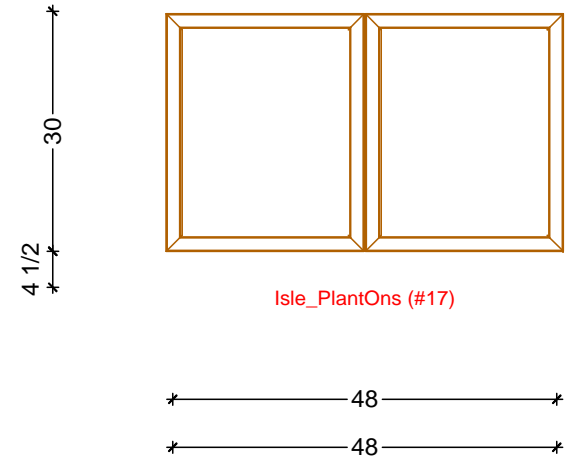
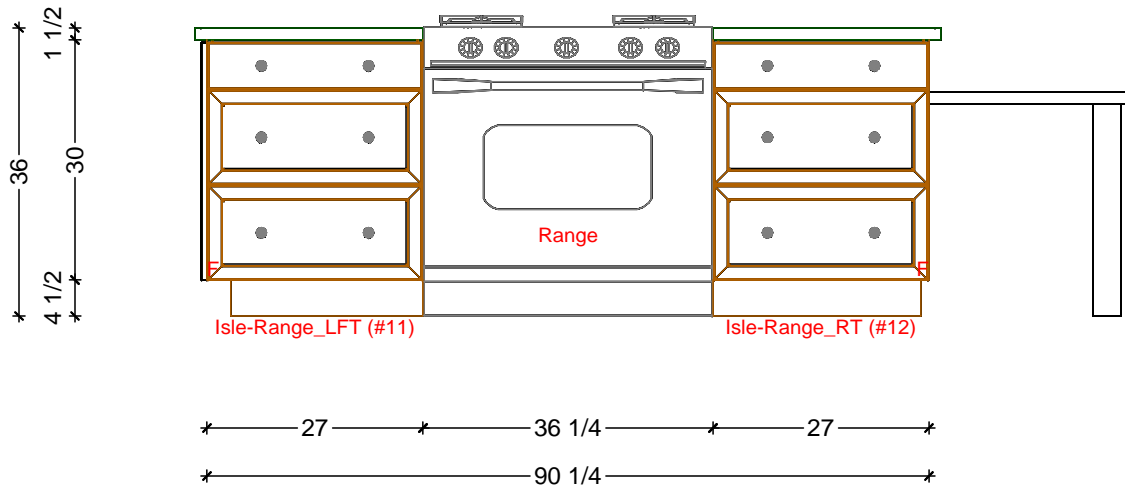
Job: FL-S_PG/PG:perSample_IntEB:PG

Size: A

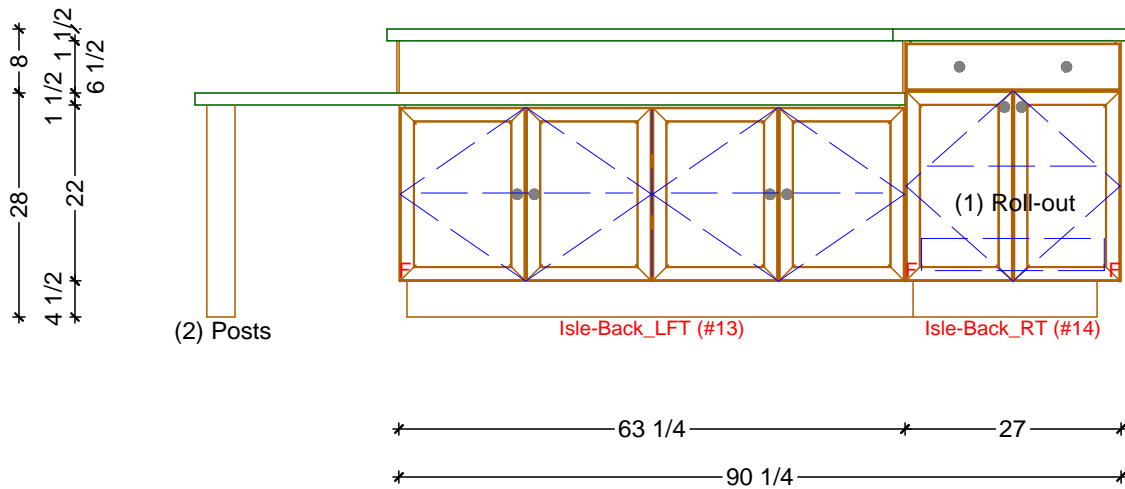
Dr By: Brian

01/07/15

K.2



1 KITCHEN ELEVATION - ISLE - RANGE SIDE
 SCALE: 1/2" = 1' 0"



2 KITCHEN ELEVATION - ISLE - BACK SIDE
 SCALE: 1/2" = 1' 0"

Classic Bath Designs, Inc.
 11544 Sheldon St., Sun Valley, CA 91352
 818.767.1144 fax: 818.767.1278

Cust: Weitekamp-Dincara	PO# KITCHEN	Scale: As Noted	K.3
Approved _____	Job: FL-S_PG/Pg:perSample_IntEB:PG	Size: A	
		Dr By: Brian	01/07/15



Classic Bath Designs, Inc.
 11544 Sheldon St., Sun Valley, CA 91352
 818.767.1144 fax: 818.767.1278



Cust: Weitekamp-Dincara	PO# KITCHEN	Scale: As Noted	Rndr		
Approved _____	Job: FL-S_PG/Pg:perSample_IntEB:PG	Size: A			



Classic Bath Designs, Inc.
 11544 Sheldon St., Sun Valley, CA 91352
 818.767.1144 fax: 818.767.1278



Cust: Weitekamp-Dincara	PO# KITCHEN	Scale: As Noted	Rndr	
Approved _____	Job: FL-S_PG/Pg:perSample_IntEB:PG	Size: A		



Classic Bath Designs, Inc.
 11544 Sheldon St., Sun Valley, CA 91352
 818.767.1144 fax: 818.767.1278



Cust: Weitekamp-Dincara	PO# KITCHEN	Scale: As Noted	Rndr		
Approved _____	Job: FL-S_PG/PG:perSample_IntEB:PG	Size: A			