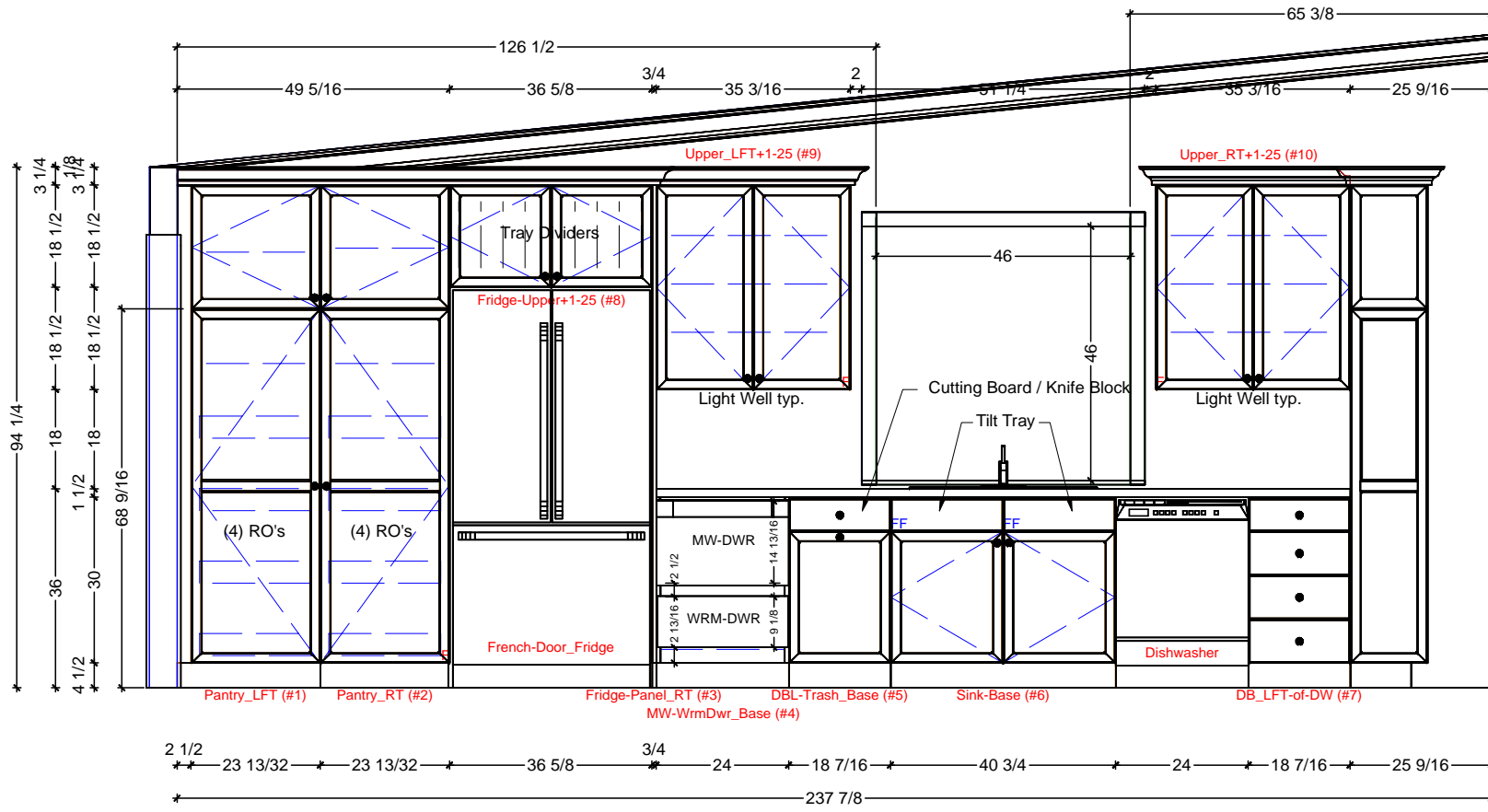

KITCHEN CABINETRY FLOOR PLAN
 SCALE: 3/8" = 1' 0"

Classic Bath Designs, Inc.
 11544 Sheldon St., Sun Valley, CA 91352
 818.767.1144 fax: 818.767.1278



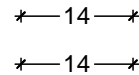
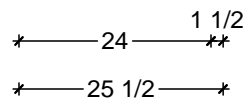
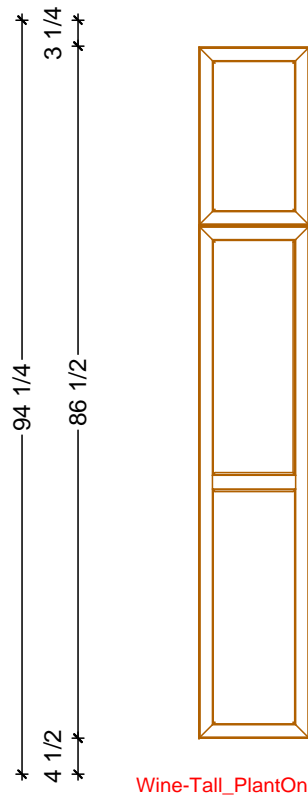
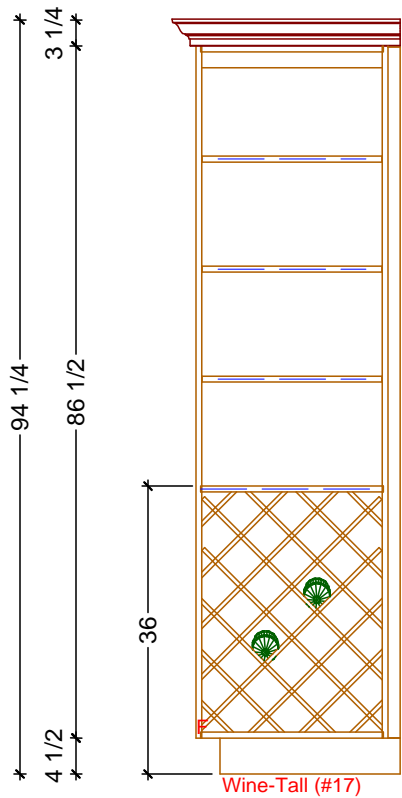
Cust: Weitekamp-Dincara	PO# KITCHEN	Scale: As Noted	K.0	
Approved _____	Job: FL-S_PG/PG:perSample_IntEB:PG	Size: A		



1 KITCHEN ELEVATION - SINK WALL
 SCALE: 3/8" = 1' 0"

Classic Bath Designs, Inc.
 11544 Sheldon St., Sun Valley, CA 91352
 818.767.1144 fax: 818.767.1278

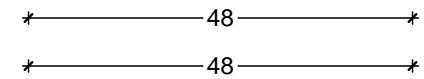
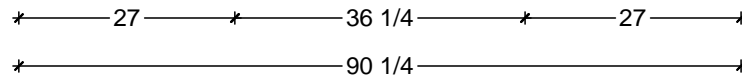
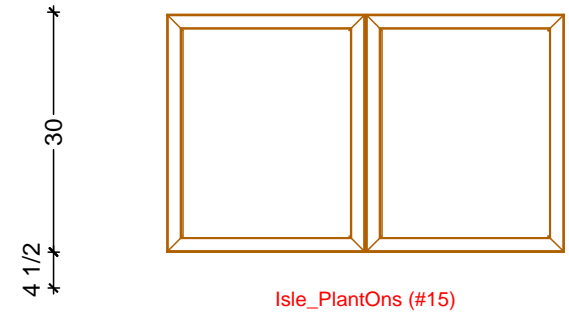
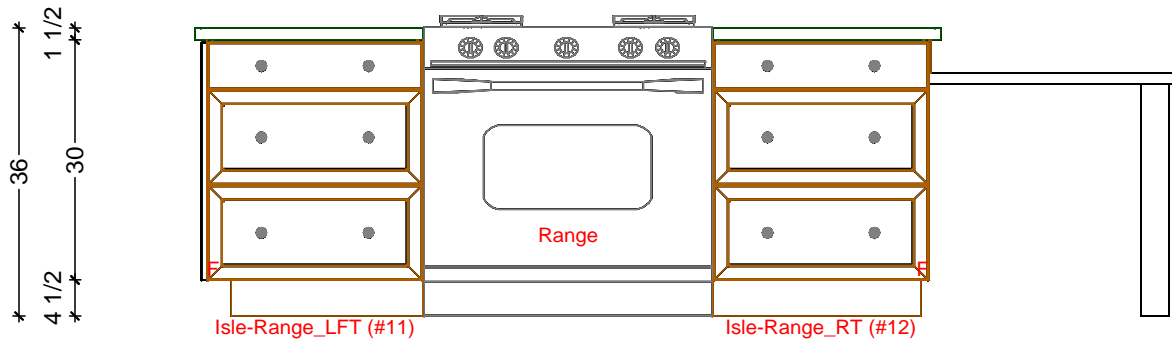
Cust: Weitekamp-Dincara	PO# KITCHEN	Scale: As Noted	K.1
Approved _____	Job: FL-S_PG/PG:perSample_IntEB:PG	Size: A Dr By: Brian 01/21/15	



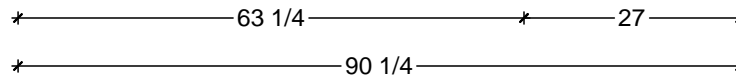
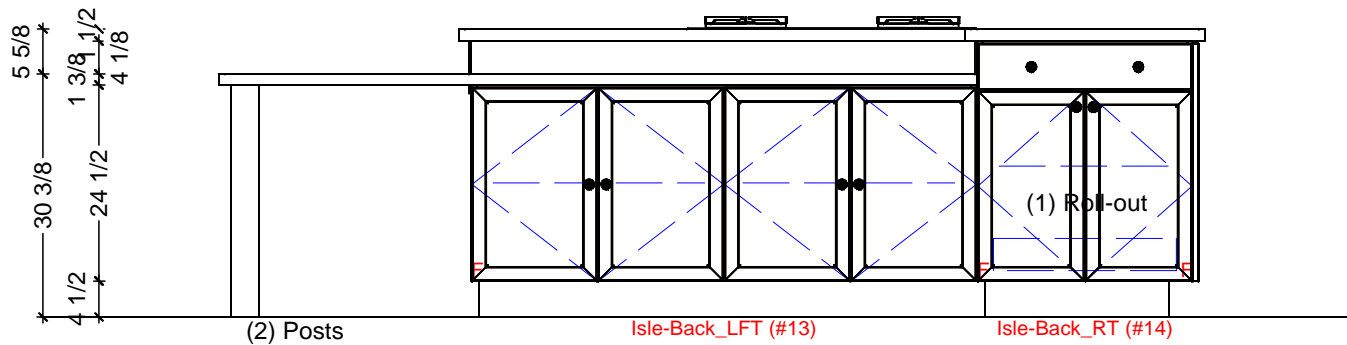
1 KITCHEN ELEVATION - WINE-TALL
SCALE: 1/2" = 1' 0"

Classic Bath Designs, Inc.
11544 Sheldon St., Sun Valley, CA 91352
818.767.1144 fax: 818.767.1278

Cust: Weitekamp-Dincara	PO# KITCHEN	Scale: As Noted	K.2	
Approved _____	Job: FL-S_PG/PG:perSample_IntEB:PG	Size: A		



1 KITCHEN ELEVATION - ISLE - RANGE SIDE
SCALE: 1/2" = 1' 0"



2 KITCHEN ELEVATION - ISLE - BACK SIDE
SCALE: 1/2" = 1' 0"

Classic Bath Designs, Inc.
11544 Sheldon St., Sun Valley, CA 91352
818.767.1144 fax: 818.767.1278



Cust: Weitekamp-Dincara		PO# KITCHEN	Scale: As Noted		K.3
Approved _____	Job: FL-S_PG/PG:perSample_IntEB:PG	Size: A	Dr By: Brian	01/21/15	



Classic Bath Designs, Inc.
 11544 Sheldon St., Sun Valley, CA 91352
 818.767.1144 fax: 818.767.1278



Cust: Weitekamp-Dincara	PO# KITCHEN	Scale: As Noted	Rndr	
Approved _____	Job: FL-S_PG/PG:perSample_IntEB:PG	Size: A		



Classic Bath Designs, Inc.
 11544 Sheldon St., Sun Valley, CA 91352
 818.767.1144 fax: 818.767.1278



Cust: Weitekamp-Dincara	PO# KITCHEN	Scale: As Noted		
Approved _____	Job: FL-S_PG/PG:perSample_IntEB:PG	Size: A	Dr By: Brian	01/21/15
				Rndr



Classic Bath Designs, Inc.
 11544 Sheldon St., Sun Valley, CA 91352
 818.767.1144 fax: 818.767.1278



Cust: Weitekamp-Dincara	PO# KITCHEN	Scale: As Noted	Rndr		
Approved _____	Job: FL-S_PG/PG:perSample_IntEB:PG	Size: A			